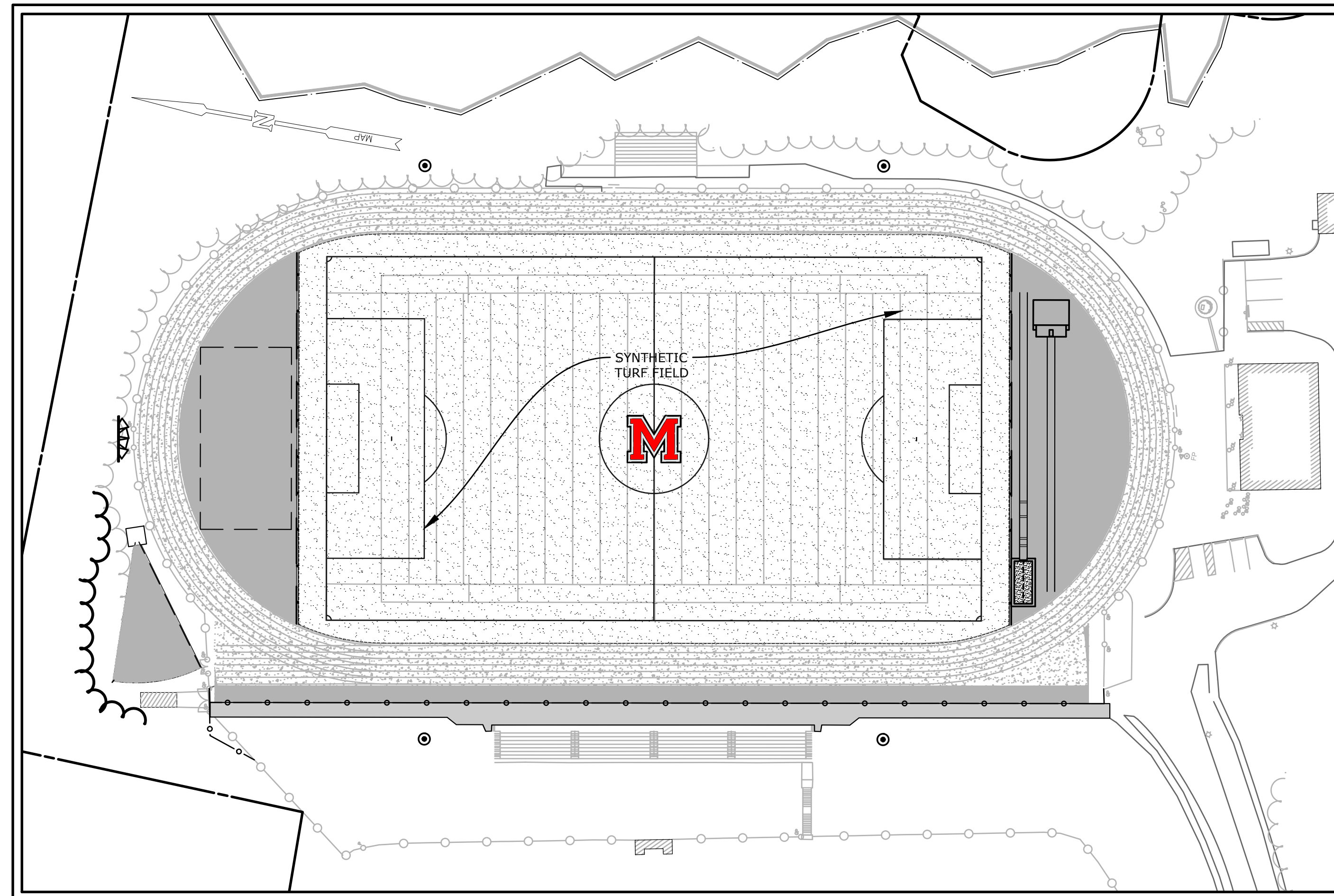


MASUK HIGH SCHOOL TRACK & FIELD IMPROVEMENTS

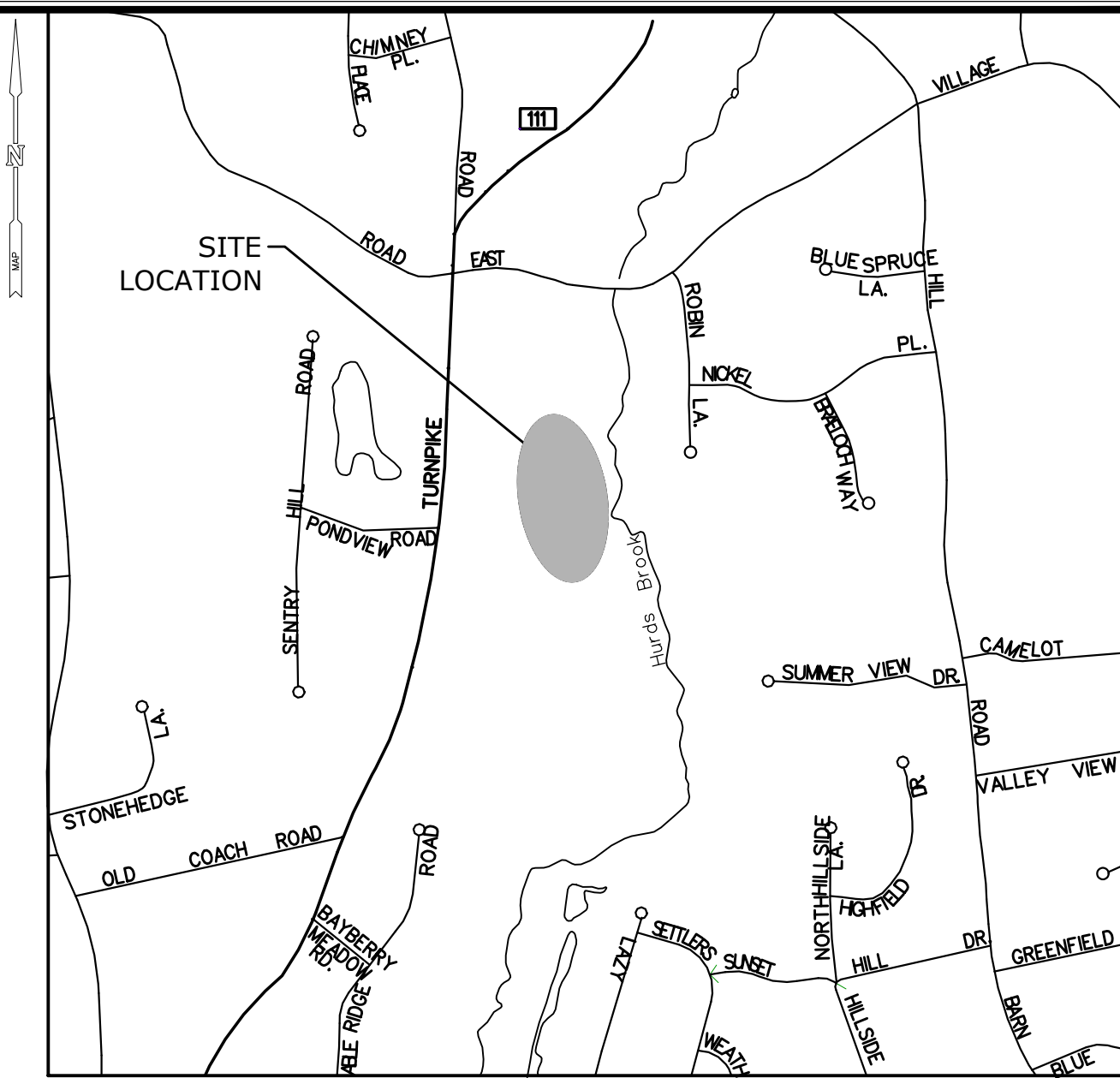
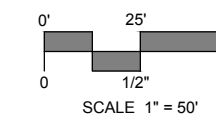
1014 MONROE TURNPIKE
MONROE, CONNECTICUT

BID DOCUMENTS

APRIL 25, 2016



PROJECT SITE VICINITY MAP:



LOCATION MAP:

LEGEND

EXISTING		PROPOSED
---	STREET LINE	---
---	PROPERTY LINE	---
---	SETBACK LINE	---
---	MAJOR CONTOUR	---(70)---
---	MINOR CONTOUR	---(68)---
---	SPOT GRADE	+70.5
---	TREE LINE	---
---	TREE/SHRUB	---
---	STONEWALL	---
---	CHAIN LINK FENCE	---
---	SITE LIGHT	---
---	HYDRANT	---
---	WATER METER	---
---	WATER VALVE	---
---	GAS VALVE	---
---	EXISTING CATCH BASIN	---
---	EXISTING MANHOLE/YARD DRAIN	---
---	SANITARY SEWER W/MANHOLE	---
---	STORM DRAIN W/CATCH BASIN	---
---	WATER MAIN	---
---	GAS MAIN	---
---	ELECTRIC LINE	---
---	ELECTRIC, TELEPHONE, CABLE	---
---	UTILITY POLE	---
---	TRAFFIC SIGN	---
---	IRON PIPE	---
---	MONUMENT	---
---	EDGE OF PAVEMENT W/CURB	---
---	EDGE OF PAVEMENT	---
---	AREA/YARD DRAIN	---

GENERAL NOTES

- TOPOGRAPHIC INFORMATION IS TAKEN FROM MAP CONFORMING TO TOPOGRAPHIC ACCURACY CLASS T-2 PREPARED BY: MILONE & MACBROOM, INC. ENTITLED: TOPOGRAPHIC SURVEY, MASUK HIGH SCHOOL, ATHLETIC FACILITIES, DRAWN AT A SCALE OF 1"=30', DATED OCTOBER 13, 2015.
- NORTH ARROW IS BASED UPON CONNECTICUT COORDINATE SYSTEM NAD 1983.
- ELEVATIONS, CONTOURS, AND BENCHMARK ARE BASED UPON NAVD 1988.
- INLAND WETLANDS DELINEATION PERFORMED AND FIELD LOCATED BY WILLIAM ROOT, LICENSED SOIL SCIENTIST, ON SEPTEMBER 18, 2015.
- FEMA 100-YEAR ZONE A FLOOD LINE TAKEN FROM FLOOD INSURANCE RATE MAP 09001C0277F, DATED JUNE 18, 2010.
- INFORMATION REGARDING THE LOCATION OF EXISTING UTILITIES HAS BEEN BASED UPON AVAILABLE INFORMATION AND MAY BE INCOMPLETE, AND WHERE SHOWN SHOULD BE CONSIDERED APPROXIMATE. THE LOCATION OF ALL EXISTING UTILITIES SHOULD BE CONFIRMED PRIOR TO BEGINNING CONSTRUCTION. CALL "CALL BEFORE YOU DIG", 1-800-922-4455. ALL UTILITY LOCATIONS THAT DO NOT MATCH THE VERTICAL OR HORIZONTAL CONTROL SHOWN ON THE PLANS SHALL IMMEDIATELY BE BROUGHT TO THE ATTENTION OF THE ENGINEER FOR RESOLUTION.
- MILONE & MACBROOM INC. ACCEPTS NO RESPONSIBILITY FOR THE ACCURACY OF MAPS AND DATA WHICH HAVE BEEN SUPPLIED BY OTHERS.
- ALL DIMENSIONS AND ELEVATIONS SHALL BE VERIFIED IN THE FIELD PRIOR TO CONSTRUCTION. ANY DISCREPANCIES SHALL BE BROUGHT TO THE ATTENTION OF THE ENGINEER.
- SEDIMENT AND EROSION CONTROL MEASURES AS DEPICTED ON THESE PLANS AND DESCRIBED WITHIN THE SEDIMENT AND EROSION CONTROL NARRATIVE SHALL BE IMPLEMENTED AND MAINTAINED UNTIL PERMANENT COVER AND STABILIZATION IS ESTABLISHED. ALL SEDIMENT AND EROSION CONTROL MEASURES SHALL CONFORM TO THE "GUIDELINES FOR SOIL EROSION AND SEDIMENT CONTROL, CONNECTICUT - 2002", AND IN ALL CASES BEST MANAGEMENT PRACTICES SHALL PREVAIL.
- ALL DISTURBED AREAS SHALL RECEIVE A MINIMUM OF 6" TOPSOIL, AND BE SEEDED WITH GRASS OR SOODED, AS SHOWN ON THE PLANS.
- ALL STORM DRAIN PIPE SHALL BE HIGH DENSITY POLYETHYLENE PIPE (HDPE) UNLESS OTHERWISE INDICATED.
- ALL PROPOSED CONTOURS AND SPOT ELEVATIONS INDICATE FINISHED GRADE.
- ALL CONSTRUCTION MATERIALS AND METHODS SHALL CONFORM TO THE TOWN OF MONROE REQUIREMENTS AND TO THE APPLICABLE SECTIONS OF THE STATE OF CONNECTICUT DEPARTMENT OF TRANSPORTATION STANDARD SPECIFICATIONS FOR ROADS, BRIDGES, AND INCIDENTAL CONSTRUCTION, FORM 816 AND ADDENDUMS.
- THE PLANS REQUIRE A CONTRACTOR'S WORKING KNOWLEDGE OF LOCAL, MUNICIPAL, WATER AUTHORITY, AND STATE CODES FOR UTILITY SYSTEMS. ANY CONFLICTS BETWEEN MATERIALS AND LOCATIONS SHOWN, AND LOCAL REQUIREMENTS SHALL BE BROUGHT TO THE ATTENTION OF THE ENGINEER PRIOR TO THE EXECUTION OF WORK. THE ENGINEER WILL NOT BE HELD LIABLE FOR COSTS INCURRED TO IMPLEMENT OR CORRECT WORK WHICH DOES NOT CONFORM TO LOCAL CODE.
- ALL FUEL, OIL, PAINT, OR OTHER HAZARDOUS MATERIALS USED DURING CONSTRUCTION SHOULD BE STORED IN A SECONDARY CONTAINER AND REMOVED TO A LOCKED INDOOR AREA WITH AN IMPERVIOUS FLOOR DURING NON-WORK HOURS.
- THE CONTRACTOR MUST MAINTAIN (REPAIR/REPLACE WHEN NECESSARY) SEDIMENTATION CONTROL SYSTEMS UNTIL ALL CONSTRUCTION ACTIVITY IS COMPLETED AND ALL DISTURBED AREAS ARE PERMANENTLY STABILIZED.

PREPARED BY:



99 Realty Drive
Cheshire, Connecticut 06410
(203) 271-1773 Fax (203) 272-9733
www.miloneandmacbroom.com

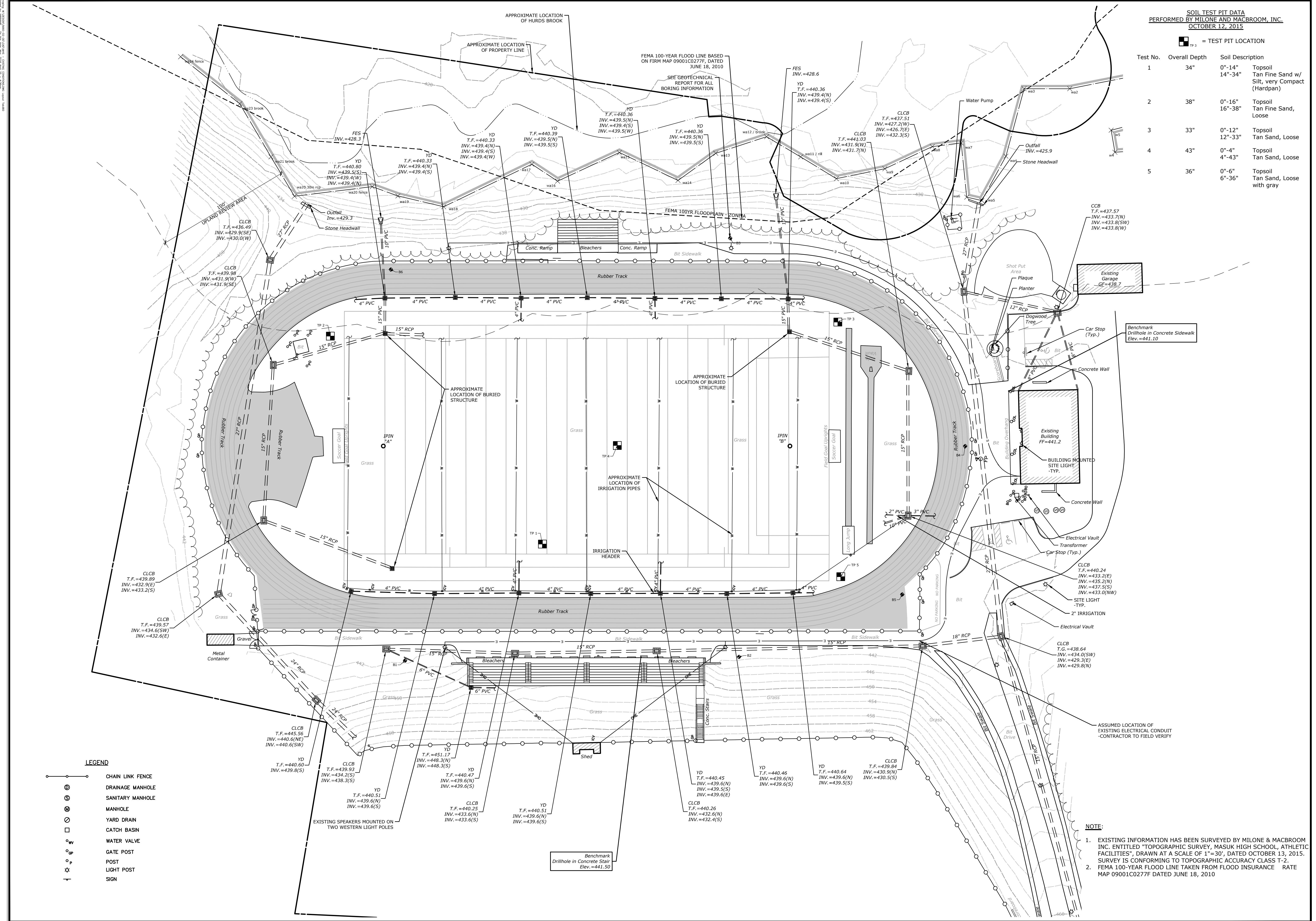
OWNER/APPLICANT:

TOWN OF MONROE PUBLIC SCHOOLS
375 MONROE TURNPIKE
MONROE, CONNECTICUT 06468

NAME	TITLE
--	TITLE SHEET
EX	EXISTING CONDITIONS
SR	SITE PLAN - REMOVALS
LA	SITE PLAN - LAYOUT
GR	SITE PLAN - GRADING AND EROSION CONTROLS
UT	SITE PLAN - UTILITIES
SD-1	SEDIMENT AND EROSION CONTROL DETAILS AND SPECIFICATIONS
SD-2 - SD-7	SITE DETAILS
E-1	SITE ELECTRICAL PLAN
E-2	ELECTRICAL NOTES AND SCHEDULE
E-3	ELECTRICAL DIAGRAMS AND DETAILS



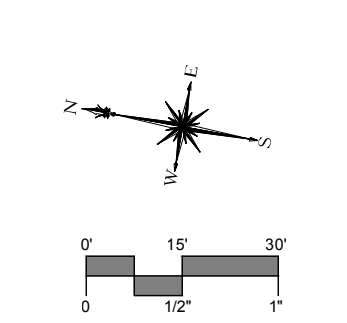
Know what's below.
Call before you dig.
www.cbyd.com



SOIL TEST PIT DATA
 PERFORMED BY MILONE AND MACBROOM, INC.
 OCTOBER 12, 2015

TP 3 = TEST PIT LOCATION

Test No.	Overall Depth	Soil Description
1	34"	0"-14" 14"-34" Topsoil Tan Fine Sand w/ Silt, very Compact (Hardpan)
2	38"	0"-16" 16"-38" Topsoil Tan Fine Sand, Loose
3	33"	0"-12" 12"-33" Topsoil Tan Sand, Loose
4	43"	0"-4" 4"-43" Topsoil Tan Sand, Loose
5	36"	0"-6" 6"-36" Topsoil Tan Sand, Loose with gray



MILONE & MACBROOM
 99 Realty Drive
 Cheshire, Connecticut 06410
 (203) 271-1773 Fax (203) 272-9733
 www.miloneandmacbroom.com

DATE	DESCRIPTION

BID DOCUMENTS

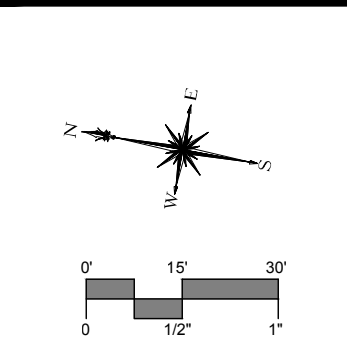
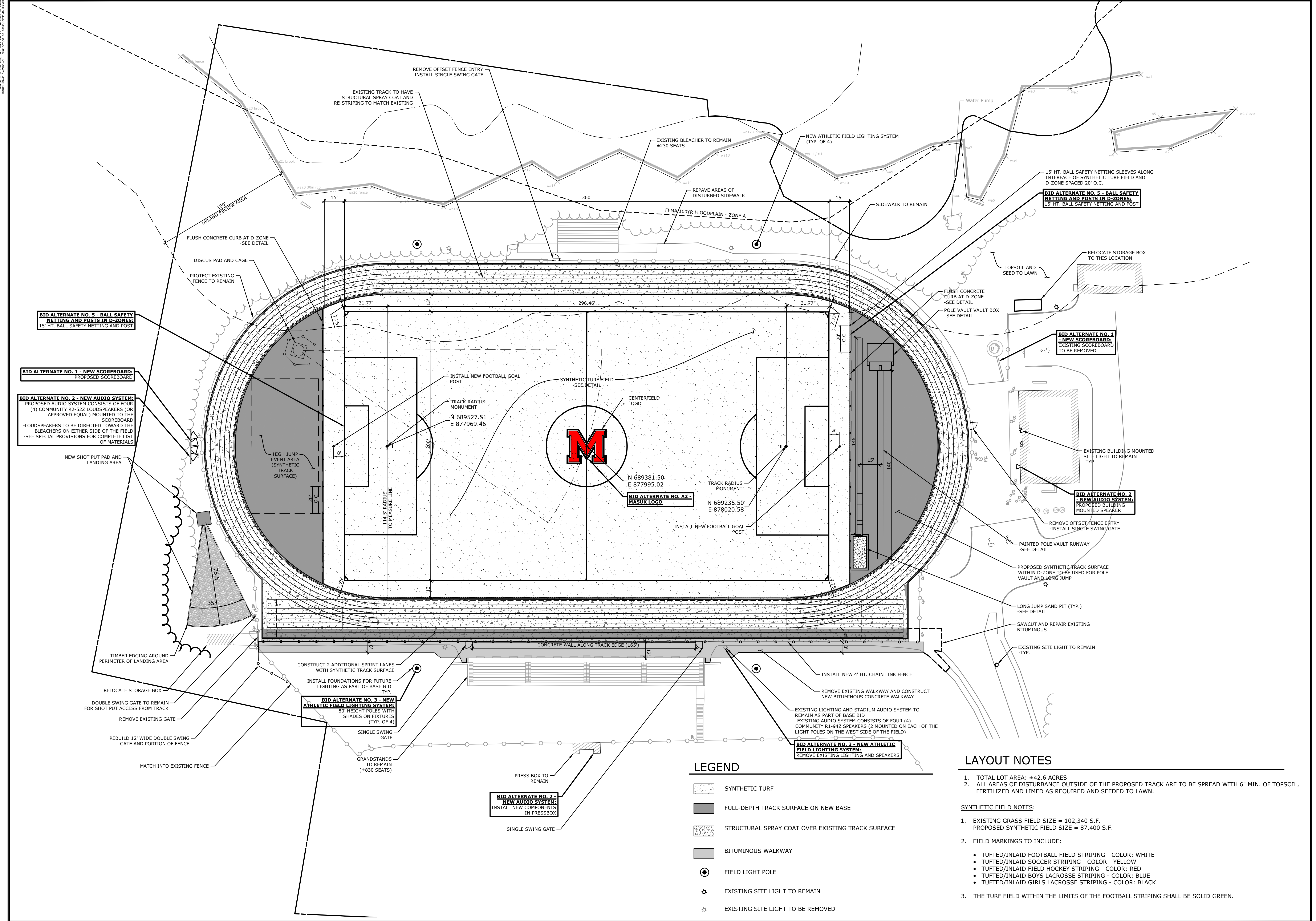
EXISTING CONDITIONS
MASUK HIGH SCHOOL
TRACK & FIELD IMPROVEMENTS
 1014 MONROE TURNPIKE
 MONROE, CONNECTICUT

KCF	HAR	DJK
DESIGNED	DRAWN	CHECKED
SCALE: 1"=30'		
DATE: APRIL 25, 2016		
PROJECT NO.: 5660-02		

EX

- NOTE:**
- EXISTING INFORMATION HAS BEEN SURVEYED BY MILONE & MACBROOM INC. ENTITLED "TOPOGRAPHIC SURVEY, MASUK HIGH SCHOOL, ATHLETIC FACILITIES", DRAWN AT A SCALE OF 1"=30', DATED OCTOBER 13, 2015. SURVEY IS CONFORMING TO TOPOGRAPHIC ACCURACY CLASS T-2.
 - FEMA 100-YEAR FLOOD LINE TAKEN FROM FLOOD INSURANCE RATE MAP 09001C0277F DATED JUNE 18, 2010

- LEGEND**
- CHAIN LINK FENCE
 - ⊙ DRAINAGE MANHOLE
 - ⊙ SANITARY MANHOLE
 - ⊙ MANHOLE
 - ⊙ YARD DRAIN
 - ⊙ CATCH BASIN
 - ⊙ WATER VALVE
 - ⊙ GATE POST
 - ⊙ POST
 - ⊙ LIGHT POST
 - ⊙ SIGN



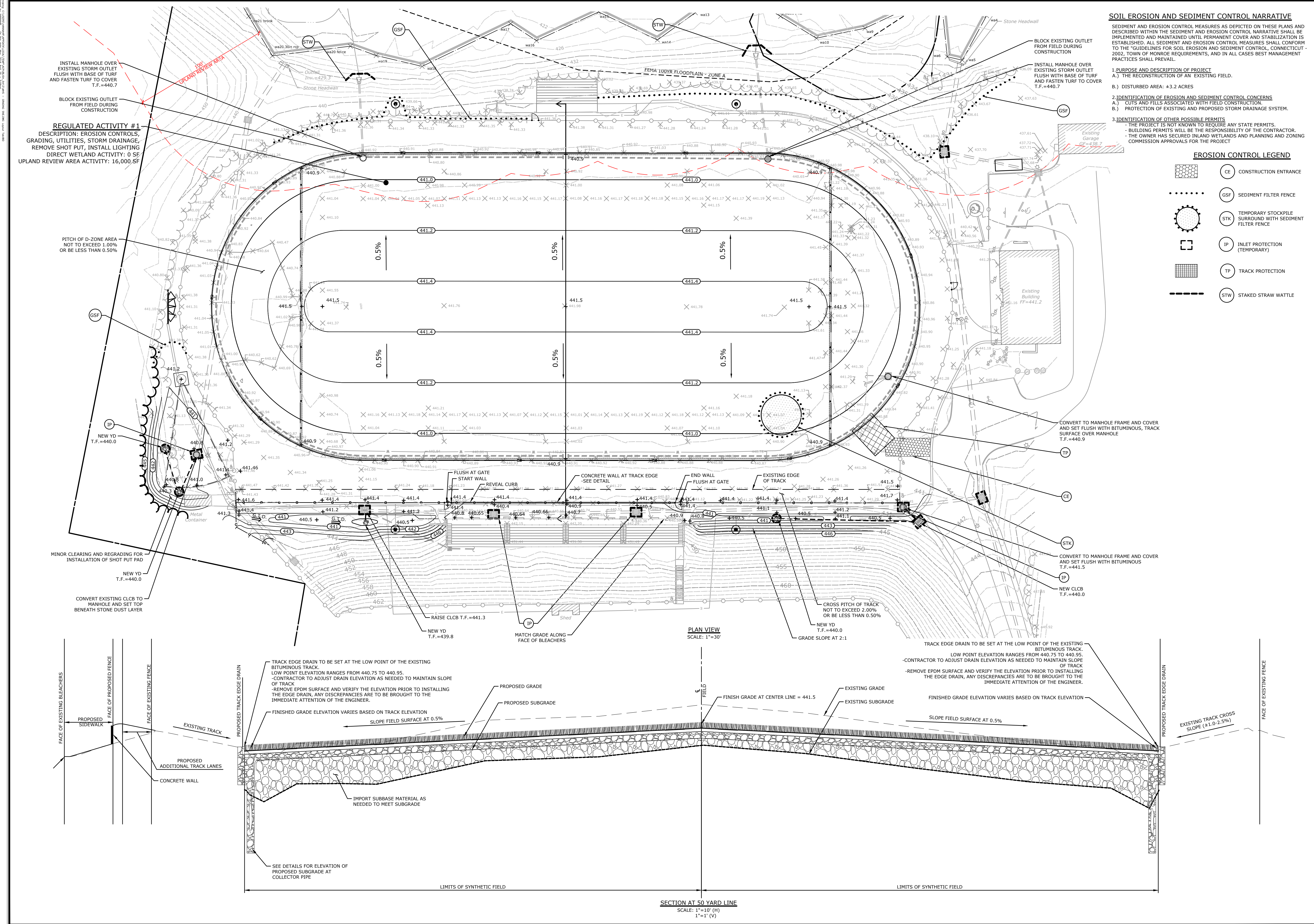
MILONE & MACBROOM
 99 Realty Drive
 Cheshire, Connecticut 06410
 (203) 271-1773 Fax (203) 272-9733
 www.miloneandmacbroom.com

DESCRIPTION	DATE	BY

BID DOCUMENTS

SITE PLAN - LAYOUT
MASUK HIGH SCHOOL
TRACK & FIELD IMPROVEMENTS
 1014 MONROE TURNPIKE
 MONROE, CONNECTICUT

KCF	HAR	DJK
DESIGNED	DRAWN	CHECKED
SCALE: 1"=30'		
DATE: APRIL 25, 2016		
PROJECT NO.: 5660-02		
SHEET NAME: LA		



SOIL EROSION AND SEDIMENT CONTROL NARRATIVE

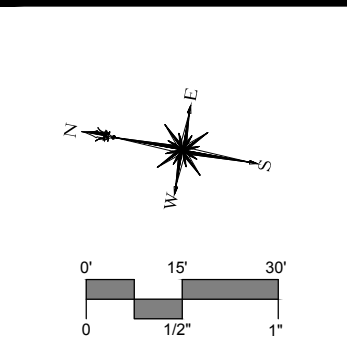
SEDIMENT AND EROSION CONTROL MEASURES AS DEPICTED ON THESE PLANS AND DESCRIBED WITHIN THE SEDIMENT AND EROSION CONTROL NARRATIVE SHALL BE IMPLEMENTED AND MAINTAINED UNTIL PERMANENT COVER AND STABILIZATION IS ESTABLISHED. ALL SEDIMENT AND EROSION CONTROL MEASURES SHALL CONFORM TO THE "GUIDELINES FOR SOIL EROSION AND SEDIMENT CONTROL, CONNECTICUT - 2002, TOWN OF MONROE REQUIREMENTS, AND IN ALL CASES BEST MANAGEMENT PRACTICES SHALL PREVAIL.

1. PURPOSE AND DESCRIPTION OF PROJECT
 A.) THE RECONSTRUCTION OF AN EXISTING FIELD.
 B.) DISTURBED AREA: ± 3.2 ACRES

2. IDENTIFICATION OF EROSION AND SEDIMENT CONTROL CONCERNS
 A.) CUTS AND FILLS ASSOCIATED WITH FIELD CONSTRUCTION.
 B.) PROTECTION OF EXISTING AND PROPOSED STORM DRAINAGE SYSTEM.

3. IDENTIFICATION OF OTHER POSSIBLE PERMITS
 - THE PROJECT IS NOT KNOWN TO REQUIRE ANY STATE PERMITS.
 - BUILDING PERMITS WILL BE THE RESPONSIBILITY OF THE CONTRACTOR.
 - THE OWNER HAS SECURED INLAND WETLANDS AND PLANNING AND ZONING COMMISSION APPROVALS FOR THE PROJECT.

- EROSION CONTROL LEGEND**
- CE CONSTRUCTION ENTRANCE
 - GSF SEDIMENT FILTER FENCE
 - STK TEMPORARY STOCKPILE SURROUNDED WITH SEDIMENT FILTER FENCE
 - IP INLET PROTECTION (TEMPORARY)
 - TP TRACK PROTECTION
 - STW STAKED STRAW WATTLE



MILONE & MACBROOM
 99 Realty Drive
 Cheshire, Connecticut 06410
 (203) 271-1773 Fax: (203) 272-9733
 www.milonemacbroom.com

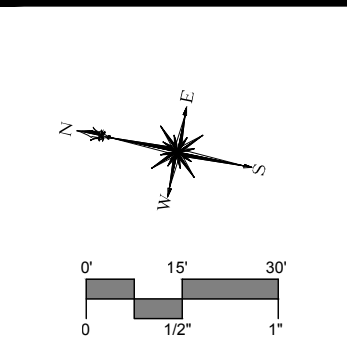
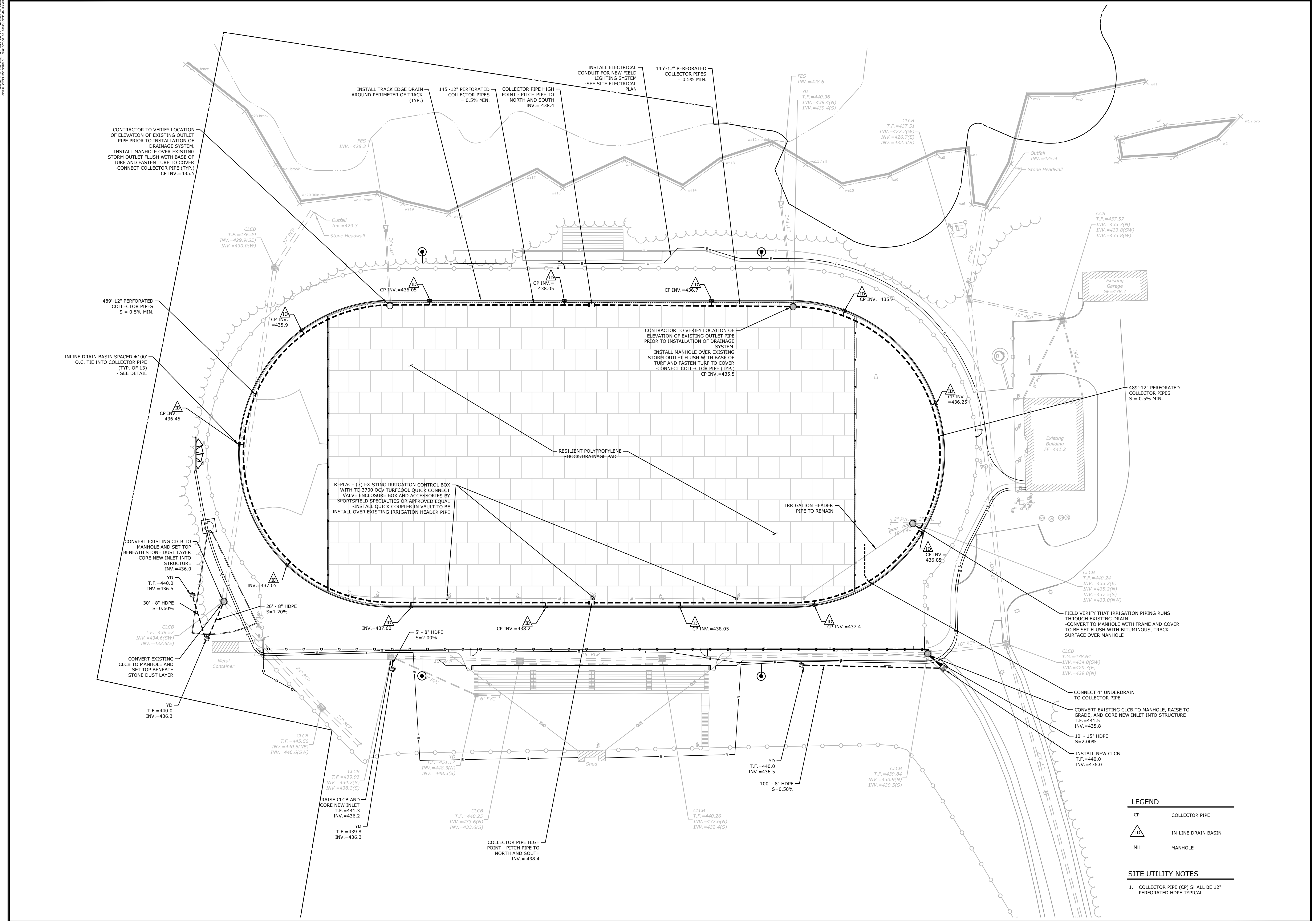
DESCRIPTION	DATE	BY

BID DOCUMENTS

SITE PLAN - GRADING AND EROSION CONTROLS
MASUK HIGH SCHOOL
TRACK & FIELD IMPROVEMENTS
 1014 MONROE TURNPIKE
 MONROE, CONNECTICUT

DJK DESIGNED	HAR DRAWN	DJK CHECKED
SCALE: AS NOTED		
DATE: APRIL 25, 2016		
PROJECT NO.: 5660-02		

GR



MILONE & MACBROOM
 99 Realty Drive
 Cheshire, Connecticut 06410
 (203) 271-1773 Fax (203) 272-9733
 www.miloneandmacbroom.com

DESCRIPTION	DATE	BY

BID DOCUMENTS

SITE PLAN - UTILITIES
MASUK HIGH SCHOOL
TRACK & FIELD IMPROVEMENTS
 1014 MONROE TURNPIKE
 MONROE, CONNECTICUT

DJK DESIGNED	DJL DRAWN	DJK CHECKED
SCALE 1"=30'		
DATE APRIL 25, 2016		
PROJECT NO. 5660-02		

SHEET NAME
UT

LEGEND

CP	COLLECTOR PIPE
△	IN-LINE DRAIN BASIN
MH	MANHOLE

SITE UTILITY NOTES

- COLLECTOR PIPE (CP) SHALL BE 12" PERFORATED HDPE TYPICAL.

SEDIMENT & EROSION CONTROL SPECIFICATIONS

GENERAL:

THESE GUIDELINES SHALL APPLY TO ALL WORK CONSISTING OF ANY AND ALL TEMPORARY AND/OR PERMANENT MEASURES TO CONTROL WATER POLLUTION AND SOIL EROSION, AS MAY BE REQUIRED, DURING THE CONSTRUCTION OF THE PROJECT.

IN GENERAL, ALL CONSTRUCTION ACTIVITIES SHALL PROCEED IN SUCH A MANNER SO AS NOT TO POLLUTE ANY WETLANDS, WATERCOURSE, WATERBODY, AND CONDUIT CARRYING WATER, ETC. THE CONTRACTOR SHALL LIMIT, INsofar AS POSSIBLE, THE SURFACE AREA OF EARTH MATERIALS EXPOSED BY CONSTRUCTION METHODS AND IMMEDIATELY PROVIDE PERMANENT AND TEMPORARY POLLUTION CONTROL MEASURES TO PREVENT CONTAMINATION OF ADJACENT WETLANDS, WATERCOURSES, AND WATER BODIES, AND TO PREVENT, INsofar AS POSSIBLE, EROSION ON THE SITE.

LAND GRADING

GENERAL:

- THE RESHAPING OF THE GROUND SURFACE BY EXCAVATION AND FILLING OR A COMBINATION OF BOTH, TO OBTAIN PLANNED GRADES, SHALL PROCEED IN ACCORDANCE WITH THE FOLLOWING CRITERIA:
 - THE CUT FACE OF EARTH EXCAVATION SHALL NOT BE STEEPER THAN TWO HORIZONTAL TO ONE VERTICAL (2:1).
 - THE PERMANENT EXPOSED FACES OF FILLS SHALL NOT BE STEEPER THAN TWO HORIZONTAL TO ONE VERTICAL (2:1).
 - THE CUT FACE OF ROCK EXCAVATION SHALL NOT BE STEEPER THAN ONE HORIZONTAL TO FOUR VERTICAL (1:4).
 - PROVISION SHOULD BE MADE TO CONDUCT SURFACE WATER SAFELY TO STORM DRAINS TO PREVENT SURFACE RUNOFF FROM DAMAGING CUT FACES AND FILL SLOPES
 - EXCAVATIONS SHOULD NOT BE MADE SO CLOSE TO PROPERTY LINES AS TO ENDANGER ADJOINING PROPERTY WITHOUT PROTECTING SUCH PROPERTY FROM EROSION, SLIDING, SETTling, OR CRACKING.
 - NO FILL SHOULD BE PLACED WHERE IT WILL SLIDE OR WASH UPON THE PREMISES OF ANOTHER OWNER OR UPON ADJACENT WETLANDS, WATERCOURSES, OR WATER BODIES.
 - PRIOR TO ANY RE-GRADING, A STABILIZED CONSTRUCTION ENTRANCE SHALL BE PLACED AT THE ENTRANCE TO THE WORK AREA IN ORDER TO REDUCE MUD AND OTHER SEDIMENTS FROM LEAVING THE SITE.

TOPSOILING

GENERAL:

- TOPSOIL SHALL BE SPREAD OVER ALL EXPOSED AREAS IN ORDER TO PROVIDE A SOIL MEDIUM HAVING FAVORABLE CHARACTERISTICS FOR THE ESTABLISHMENT, GROWTH, AND MAINTENANCE OF VEGETATION.
- UPON ATTAINING FINAL SUBGRADES, SCARIFY SURFACE TO PROVIDE A GOOD BOND WITH TOPSOIL.
- REMOVE ALL LARGE STONES, TREE LIMBS, ROOTS AND CONSTRUCTION DEBRIS.
- APPLY LIME ACCORDING TO SOIL TEST OR AT THE RATE OF TWO (2) TONS PER ACRE.

MATERIAL:

- TOPSOIL SHOULD HAVE PHYSICAL, CHEMICAL, AND BIOLOGICAL CHARACTERISTICS FAVORABLE TO THE GROWTH OF PLANTS.
- TOPSOIL SHOULD HAVE A SANDY OR LOAMY TEXTURE.
- TOPSOIL SHOULD BE RELATIVELY FREE OF SUBSOIL MATERIAL AND MUST BE FREE OF STONES (OVER 1" IN DIAMETER), LUMPS OF SOIL, ROOTS, TREE LIMBS, TRASH, OR CONSTRUCTION DEBRIS. IT SHOULD BE FREE OF ROOTS OR RHIZOMES SUCH AS THISTLE, NUTGRASS, AND QUACKGRASS.
- AN ORGANIC MATTER CONTENT OF SIX PERCENT (6%) IS REQUIRED. AVOID LIGHT COLORED SUBSOIL MATERIAL.
- SOLUBLE SALT CONTENT OF OVER 500 PARTS PER MILLION (PPM) IS LESS SUITABLE. AVOID TIDAL MARSH SOILS BECAUSE OF HIGH SALT CONTENT AND SULFUR ACIDITY.
- THE pH SHOULD BE MORE THAN 6.0. IF LESS, ADD LIME TO INCREASE pH TO AN ACCEPTABLE LEVEL.

APPLICATION

AVOID SPREADING WHEN TOPSOIL IS WET OR FROZEN.

SPREAD TOPSOIL UNIFORMLY TO A DEPTH OF AT LEAST SIX INCHES (6"), OR TO THE DEPTH SHOWN ON THE LANDSCAPING PLANS.

TEMPORARY VEGETATIVE COVER

GENERAL:

- TEMPORARY VEGETATIVE COVER SHALL BE ESTABLISHED ON ALL UNPROTECTED AREAS THAT PRODUCE SEDIMENT, AREAS WHERE FINAL GRADING HAS BEEN COMPLETED, AND AREAS WHERE THE ESTIMATED PERIOD OF BARE SOIL EXPOSURE IS LESS THAN 12 MONTHS. TEMPORARY VEGETATIVE COVER SHALL BE APPLIED IF AREAS WILL NOT BE PERMANENTLY SEEDDED BY SEPTEMBER 1.

SITE PREPARATION:

- INSTALL REQUIRED SURFACE WATER CONTROL MEASURES.
- REMOVE LOOSE ROCK, STONE, AND CONSTRUCTION DEBRIS FROM AREA.
- APPLY LIME ACCORDING TO SOIL TEST OR AT A RATE OF ONE (1) TON OF GROUND DOLOMITIC LIMESTONE PER ACRE (5 LBS. PER 100 SQ. FT.).
- APPLY FERTILIZER ACCORDING TO SOIL TEST OR AT THE RATE OF 300 LBS. OF 10-10-10 PER ACRE (7 LBS. PER 1,000 SQ. FT.) AND SECOND APPLICATION OF 200 LBS. OF 10-10-10- (5 LBS. PER 1,000 SQ. FT.) WHEN GRASS IS FOUR INCHES (4") TO SIX INCHES (6") HIGH. APPLY ONLY WHEN GRASS IS DRY.
- UNLESS HYDROSEEDDED, WORK IN LIME AND FERTILIZER TO A DEPTH OF FOUR (4") INCHES USING A DISK OR ANY SUITABLE EQUIPMENT.
- TILLAGE SHOULD ACHIEVE A REASONABLY UNIFORM LOOSE SEEDBED. WORK ON CONTOUR IF SITE IS SLOPING.

ESTABLISHMENT:

- SELECT APPROPRIATE SPECIES FOR THE SITUATION. NOTE RATES AND SEEDING DATES (SEE VEGETATIVE COVER SELECTION & MULCHING SPECIFICATION BELOW).
- APPLY SEED UNIFORMLY ACCORDING TO THE RATE INDICATED BY BROADCASTING, DRILLING, OR HYDRAULIC APPLICATION.
- UNLESS HYDROSEEDDED, COVER RYEGRASS SEEDS WITH NOT MORE THAN 1/4 INCH OF SOIL USING SUITABLE EQUIPMENT.
- MULCH IMMEDIATELY AFTER SEEDING IF REQUIRED. (SEE VEGETATIVE COVER SELECTION & MULCHING SPECIFICATION BELOW.) APPLY STRAW OR HAY MULCH AND ANCHOR TO SLOPES GREATER THAN 3% OR WHERE CONCENTRATED FLOW WILL OCCUR.

PERMANENT VEGETATIVE COVER

GENERAL:

- PERMANENT VEGETATIVE COVER SHALL BE ESTABLISHED AS VARIOUS SECTIONS OF THE PROJECT ARE COMPLETED IN ORDER TO STABILIZE THE SOIL, REDUCE DOWNSTREAM DAMAGE FROM SEDIMENT AND RUNOFF, AND TO ENHANCE THE AESTHETIC NATURE OF THE SITE. IT WILL BE APPLIED TO ALL CONSTRUCTION AREAS SUBJECT TO EROSION WHERE FINAL GRADING HAS BEEN COMPLETED AND A PERMANENT COVER IS NEEDED.

SITE PREPARATION:

- INSTALL REQUIRED SURFACE WATER CONTROL MEASURES.
- REMOVE LOOSE ROCK, STONE, AND CONSTRUCTION DEBRIS FROM AREA.
- PERFORM ALL PLANTING OPERATIONS PARALLEL TO THE CONTOURS OF THE SLOPE.
- APPLY TOPSOIL AS INDICATED ELSEWHERE HEREIN.
- APPLY FERTILIZER ACCORDING TO SOIL TEST OR:

SPREAD SEEDING: WORK DEEPLY IN SOIL, BEFORE SEEDING, 300 LBS. OF 10-10-10 FERTILIZER PER ACRE (7 LBS. PER 1,000 SQ. FT.); THEN SIX (6) TO EIGHT (8) WEEKS LATER, APPLY ON THE SURFACE AN ADDITIONAL 300 LBS. OF 10-10-10 FERTILIZER PER ACRE. AFTER SEPTEMBER 1, TEMPORARY VEGETATIVE COVER SHALL BE APPLIED.

FALL SEEDING: WORK DEEPLY IN SOIL, BEFORE SEEDING, 600 LBS. OF 10-10-10 FERTILIZER PER ACRE (14 LBS. PER 1,000 SQ. FT.).

VEGETATIVE COVER SELECTION & MULCHING

TEMPORARY VEGETATIVE COVER:

PERENNIAL RYEGRASS 3 LBS./1,000 SQ.FT. (LOLIUM PERENNE)

PERMANENT VEGETATIVE COVER:

GENERAL SEEDING:

- 10% AMERICAN KENTUCKY BLUEGRASS
- 10% VICTORY II CHEWINGS FESCUE
- 20% *JASPER II CREEPING RED FESCUE
- 20% SPARTAN HARD FESCUE
- 30% *CUTTER PERENNIAL RYE GRASS

*HIGH ENDOPHYTE

SEEDING RATE - 220 POUNDS PER 43,560 SF

TEMPORARY MULCHING:

STRAY OR HAY 70-90 LBS./1,000 SQ.FT. (TEMPORARY VEGETATIVE AREAS)

WOOD FIBER IN HYDROMULCH SLURRY 25-50 LBS./1,000 SQ. FT.

ESTABLISHMENT:

- SMOOTH AND FIRM SEEDBED WITH CULTIPACKER OR OTHER SIMILAR EQUIPMENT PRIOR TO SEEDING (EXCEPT WHEN HYDROSEEDING).
- SELECT ADAPTED SEED MIXTURE FOR THE SPECIFIC SITUATION. NOTE RATES AND THE SEEDING DATES (SEE VEGETATIVE COVER SELECTION & MULCHING SPEC. BELOW).
- APPLY SEED UNIFORMLY ACCORDING TO RATE INDICATED, BY BROADCASTING, DRILLING, OR HYDRAULIC APPLICATION.
- COVER GRASS AND LEGUME SEED WITH NOT MORE THAN 1/4 INCH OF SOIL WITH SUITABLE EQUIPMENT (EXCEPT WHEN HYDROSEEDING).
- MULCH IMMEDIATELY AFTER SEEDING, IF REQUIRED, ACCORDING TO TEMPORARY MULCHING SPECIFICATIONS. (SEE VEGETATIVE COVER SELECTION & MULCHING SPECIFICATION BELOW).
- USE PROPER INOCULANT ON ALL LEGUME SEEDINGS, USE FOUR (4) TIMES NORMAL RATES WHEN HYDROSEEDING.
- USE SOD WHERE THERE IS A HEAVY CONCENTRATION OF WATER AND IN CRITICAL AREAS WHERE IT IS IMPORTANT TO GET A QUICK VEGETATIVE COVER TO PREVENT EROSION.

MAINTENANCE:

- TEST FOR SOIL ACIDITY EVERY THREE (3) YEARS AND LIME AS REQUIRED.
- ON SITES WHERE GRASSES PREDOMINATE, BROADCAST ANNUALLY 500 POUNDS OF 10-10-10 FERTILIZER PER ACRE (12 LBS. PER 1,000 SQ. FT.) OR AS NEEDED ACCORDING TO ANNUAL SOIL TESTS.
- ON SITES WHERE LEGUMES PREDOMINATE, BROADCAST EVERY THREE (3) YEARS OR AS INDICATED BY SOIL TEST 300 POUNDS OF 0-20-20 OR EQUIVALENT PER ACRE (8 LBS PER 1,000 SQ. FT.).

EROSION CHECKS

GENERAL:

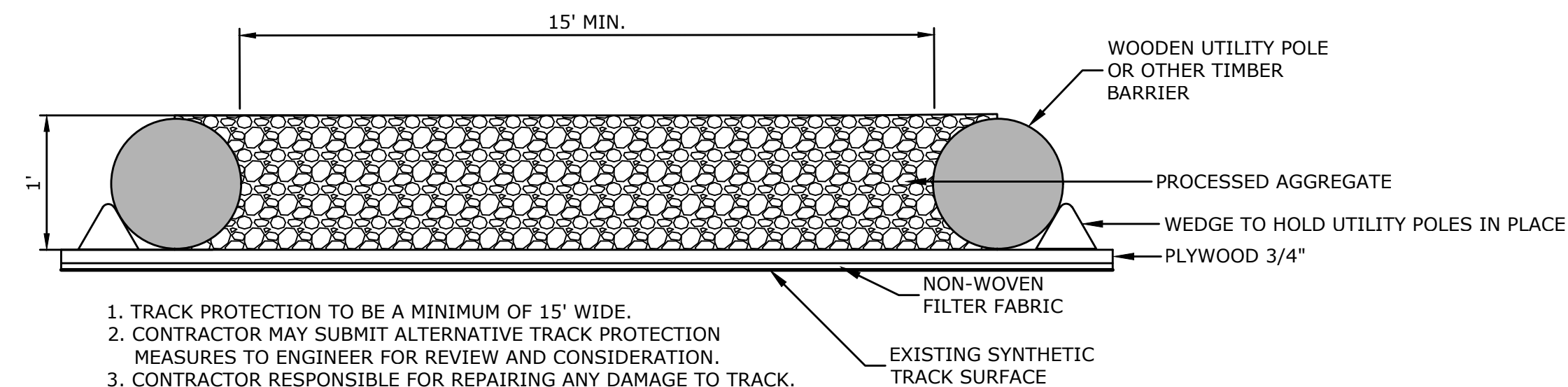
- TEMPORARY PVIOUS BARRIERS USING BALES OF HAY OR STRAW, HELD IN PLACE WITH STAKES DRIVEN THROUGH THE BALES AND INTO THE GROUND OR GEOTEXTILE FABRIC FASTENED TO A FENCE POST AND BURIED INTO THE GROUND, SHALL BE INSTALLED AND MAINTAINED AS REQUIRED TO CHECK EROSION AND REDUCE SEDIMENTATION.

CONSTRUCTION:

- BALES SHOULD BE PLACED IN A ROW WITH ENDS TIGHTLY ABUTTING THE ADJACENT BALES.
- EACH BALE SHALL BE EMBEDDED INTO THE SOIL A MINIMUM OF FOUR (4") INCHES.
- BALES SHALL BE SECURELY ANCHORED IN PLACE BY WOOD STAKES OR REINFORCEMENT BARS DRIVEN THROUGH THE BALES AND INTO THE GROUND. THE FIRST STAKE IN EACH BALE SHALL BE ANGLED TOWARD THE PREVIOUSLY LAID BALE TO FORCE BALES TOGETHER.
- GEOTEXTILE FABRIC SHALL BE SECURELY ANCHORED AT THE TOP OF A THREE FOOT (3') HIGH FENCE AND BURIED A MINIMUM OF FOUR INCHES (4") TO THE SOIL. SEAMS BETWEEN SECTIONS OF FILTER FABRIC SHALL OVERLAP A MINIMUM OF TWO FEET (2').

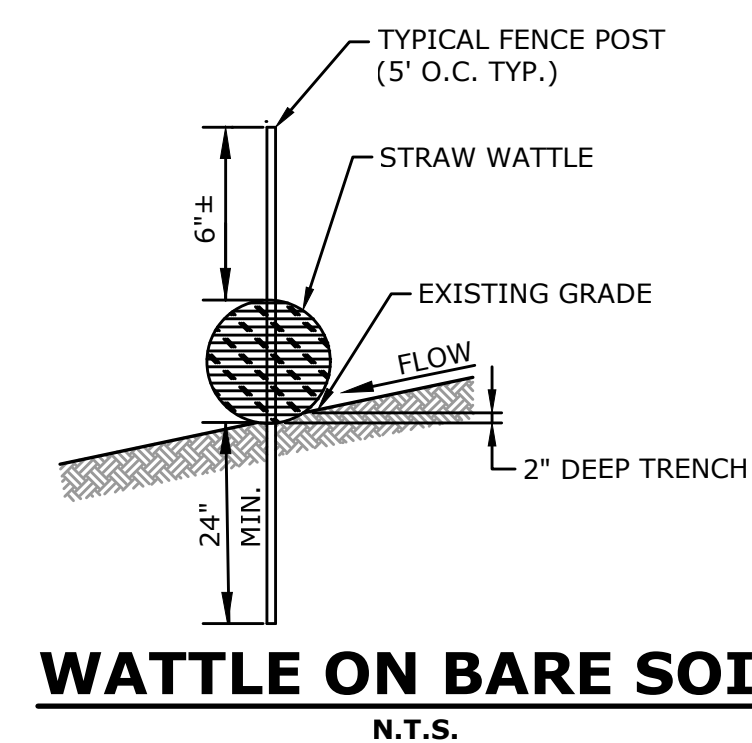
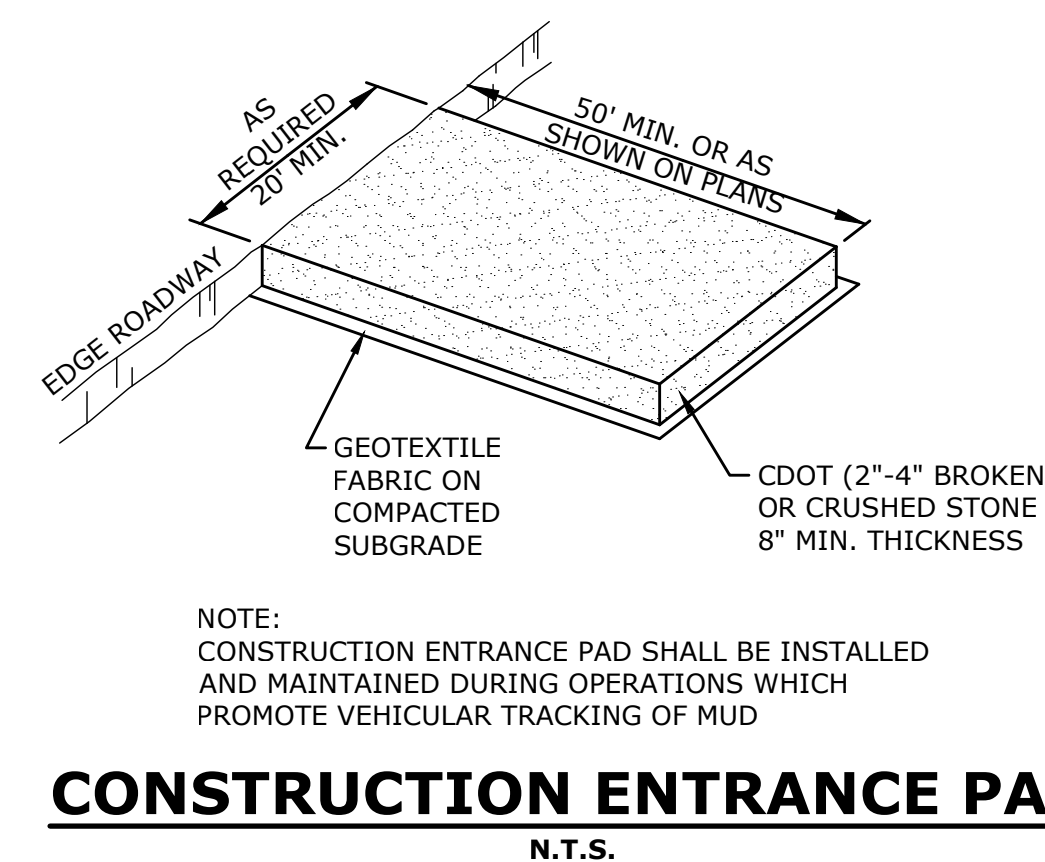
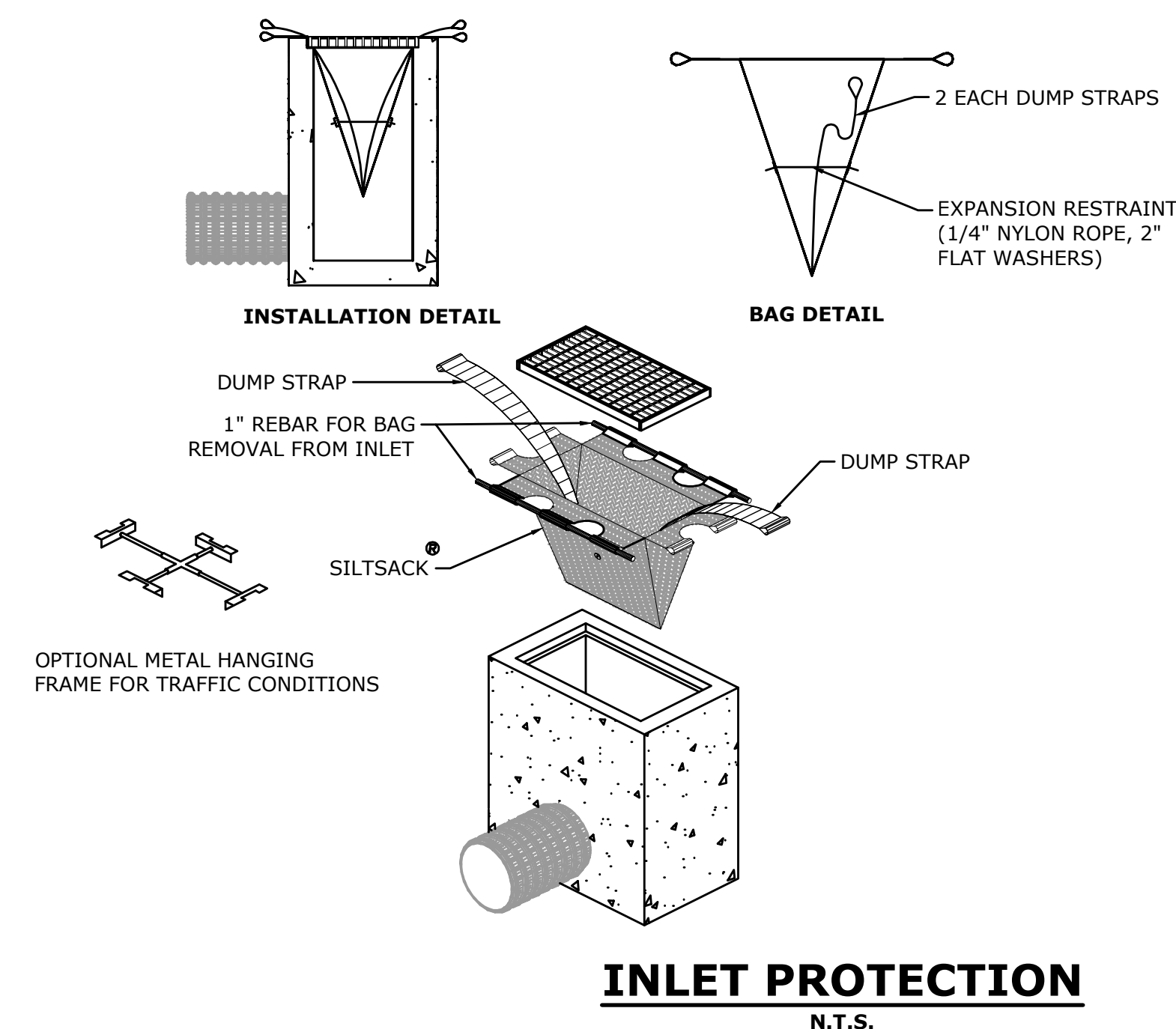
INSTALLATION AND MAINTENANCE:

- BALED HAY EROSION BARRIERS SHALL BE INSTALLED AT ALL STORM SEWER INLETS.
- BALED HAY EROSION BARRIERS AND GEOTEXTILE FENCE SHALL BE INSTALLED AT THE LOCATION INDICATED ON THE PLAN AND IN ADDITIONAL AREAS AS MAY BE DEEMED APPROPRIATE DURING CONSTRUCTION.
- ALL EROSION CHECKS SHALL BE MAINTAINED UNTIL ADJACENT AREAS ARE STABILIZED.
- INSPECTION SHALL BE FREQUENT (AT MINIMUM MONTHLY AND BEFORE AND AFTER HEAVY RAIN) AND REPAIR OR REPLACEMENT SHALL BE MADE PROMPTLY AS NEEDED.
- EROSION CHECKS SHALL BE REMOVED WHEN THEY HAVE SERVED THEIR USEFULNESS SO AS NOT TO BLOCK OR IMPEDE STORMWATER FLOW OR DRAINAGE.



TRACK PROTECTION

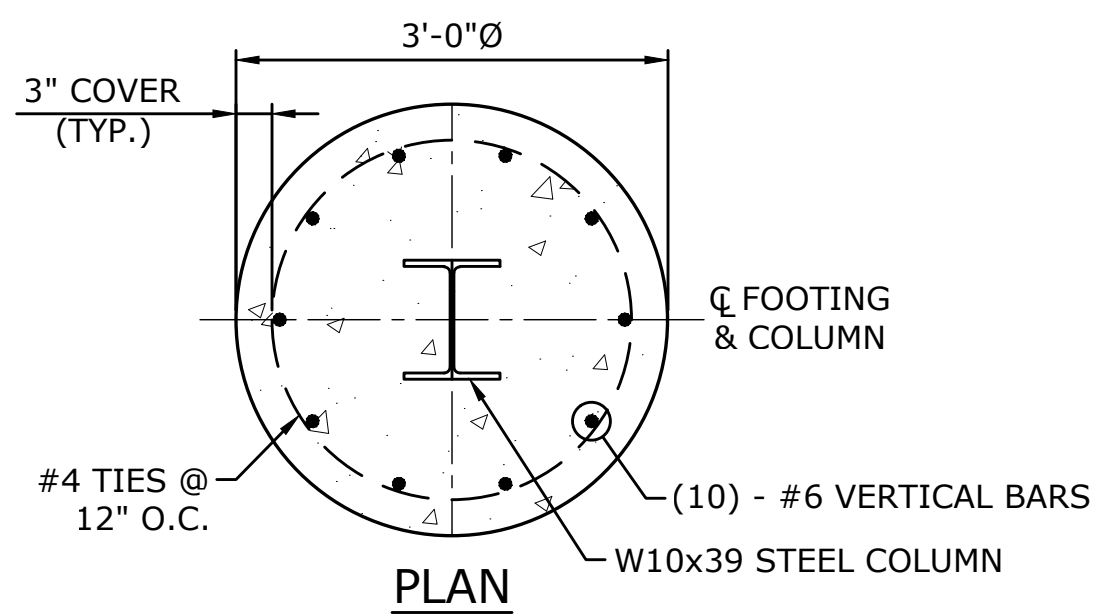
N.T.S.



DESCRIPTION	DATE	BY

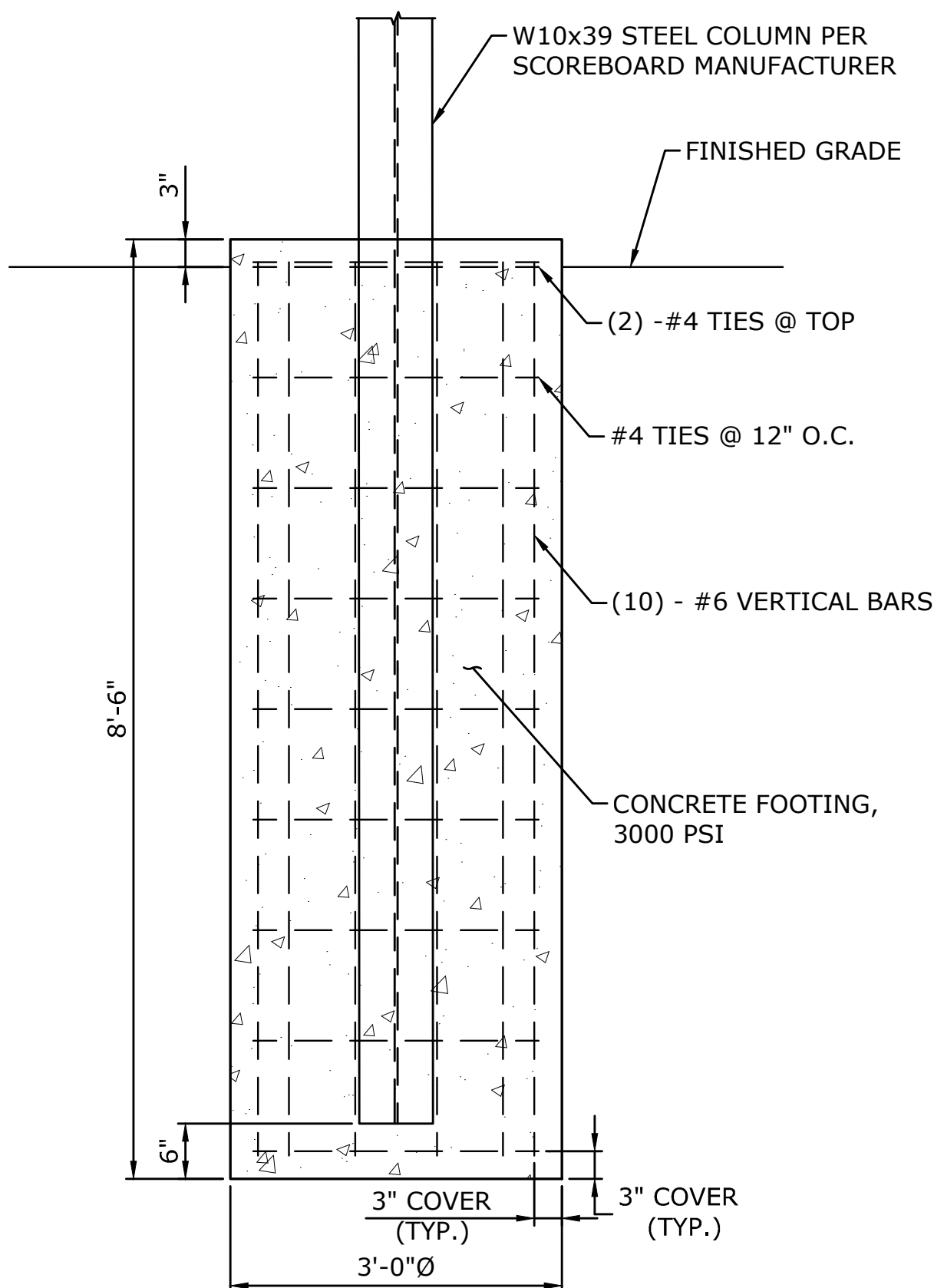
SEDIMENT AND EROSION CONTROL DETAILS AND SPECIFICATIONS
 MASUK HIGH SCHOOL
 TRACK & FIELD IMPROVEMENTS
 1014 MONROE TURNPIKE
 MONROE, CONNECTICUT
 BID DOCUMENTS

KCF	HAR	DJK
DESIGNED	DRAWN	CHECKED
SCALE N.T.S.		
DATE APRIL 25, 2016		
PROJECT NO. 5660-02		
SHEET NO.		
SD-1		
SHEET NAME		

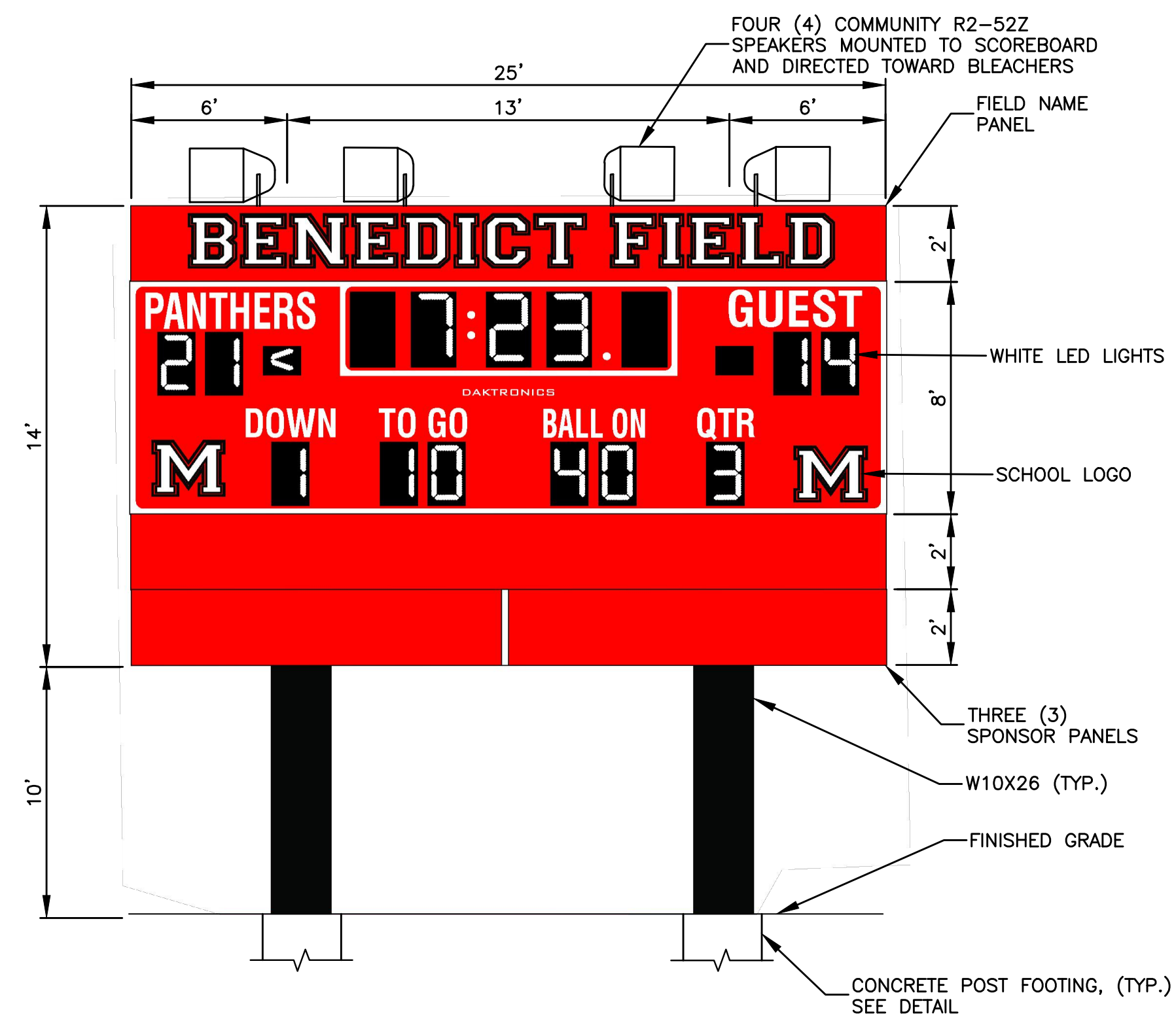


NOTES

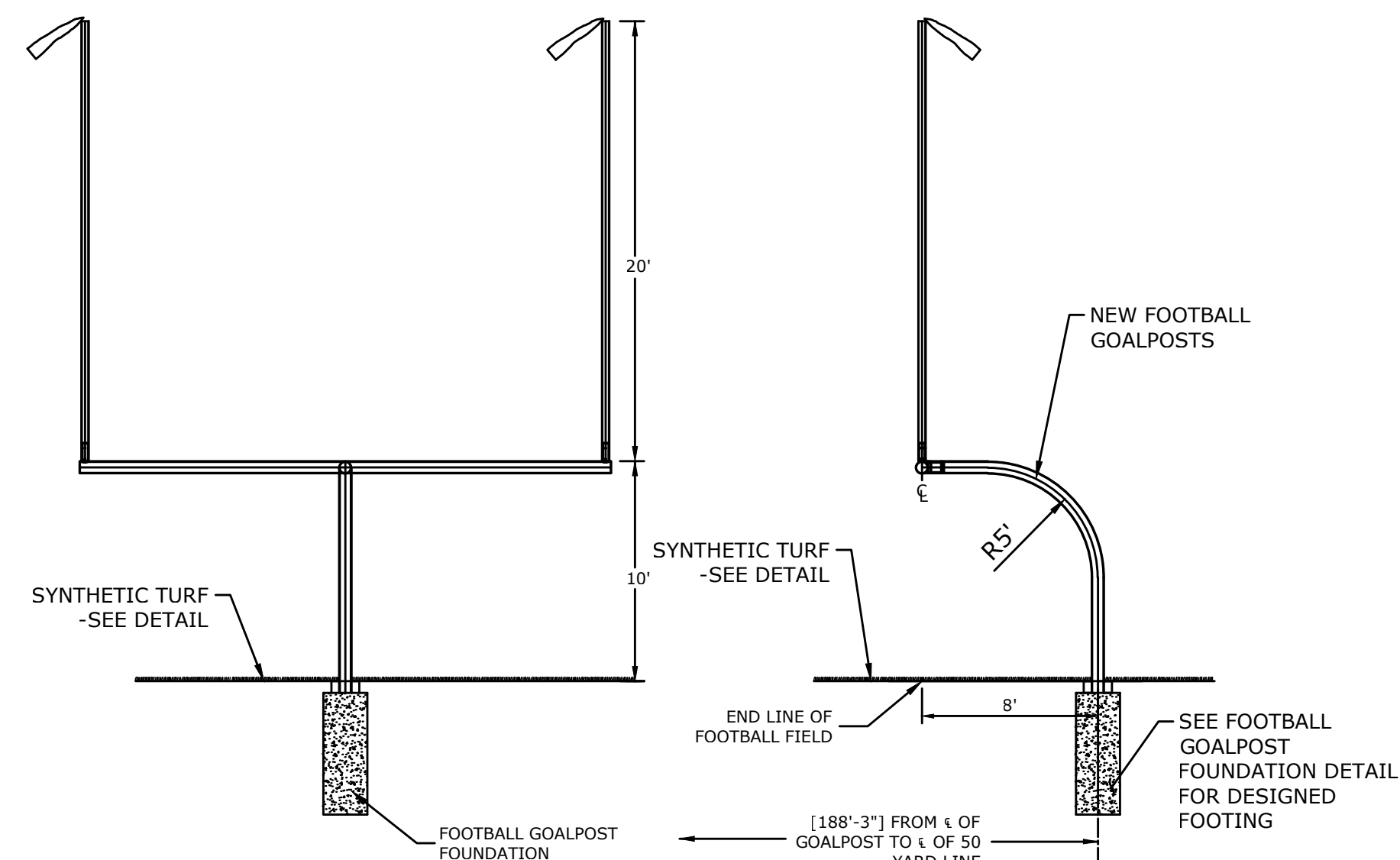
1. TWO CONCRETE FOOTINGS REQUIRED FOR THE SCOREBOARD INSTALLATION CONFIRM SPACING OF FOOTINGS WITH MANUFACTURER FRO MODEL "DAKTRONICS FB-2022"
2. BOTTOM OF SCOREBOARD TO BE 10'-0" ABOVE GROUND ELEVATION.
3. SCOREBOARD MANUFACTURER TO PROVIDE PE DESIGNED SHOP DRAWINGS FOR FOUNDATION.



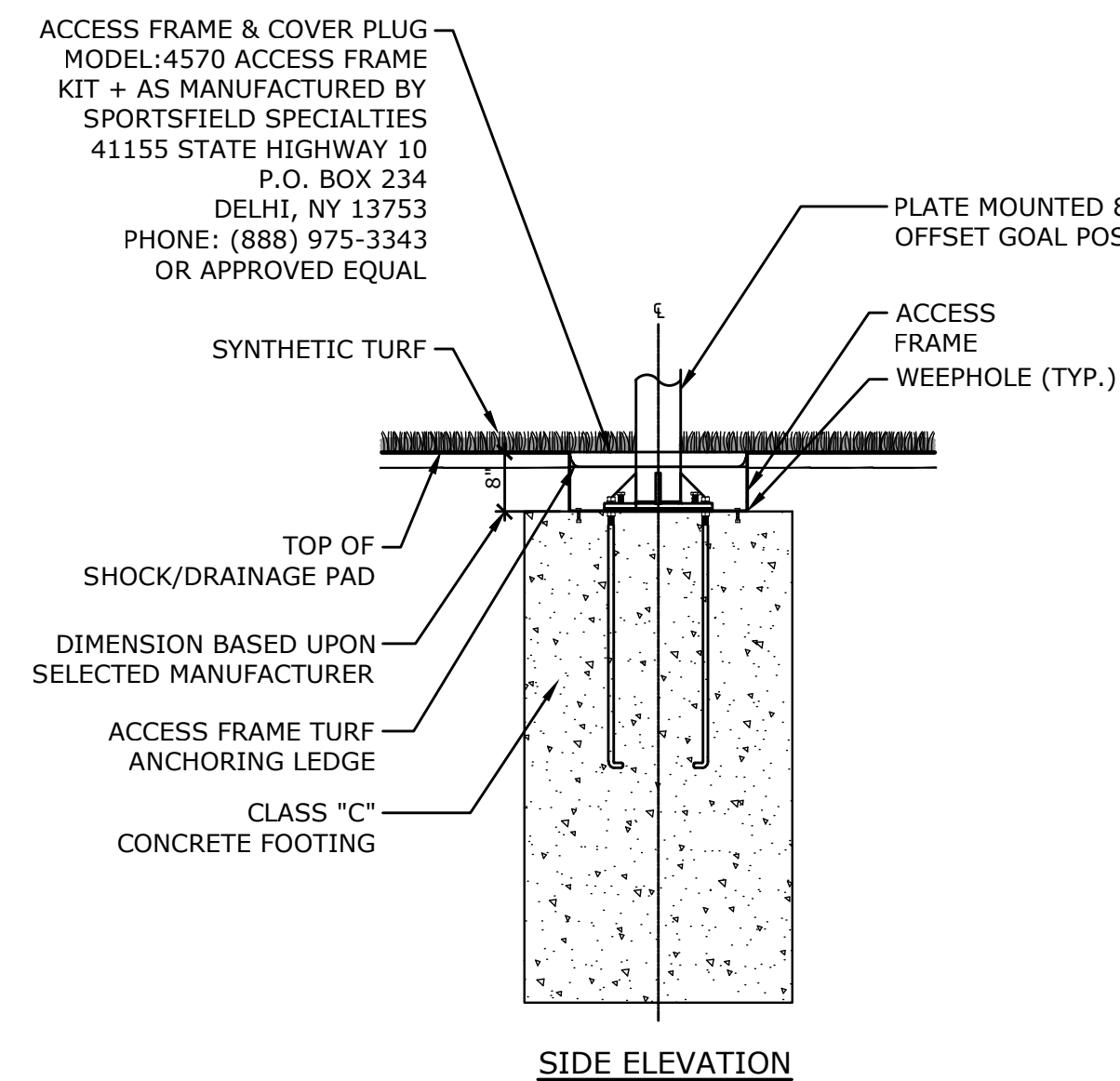
**SECTION
SCOREBOARD FOOTING DETAIL**
SCALE: 3/4" = 1'-0"



SCOREBOARD DETAIL
N.T.S.



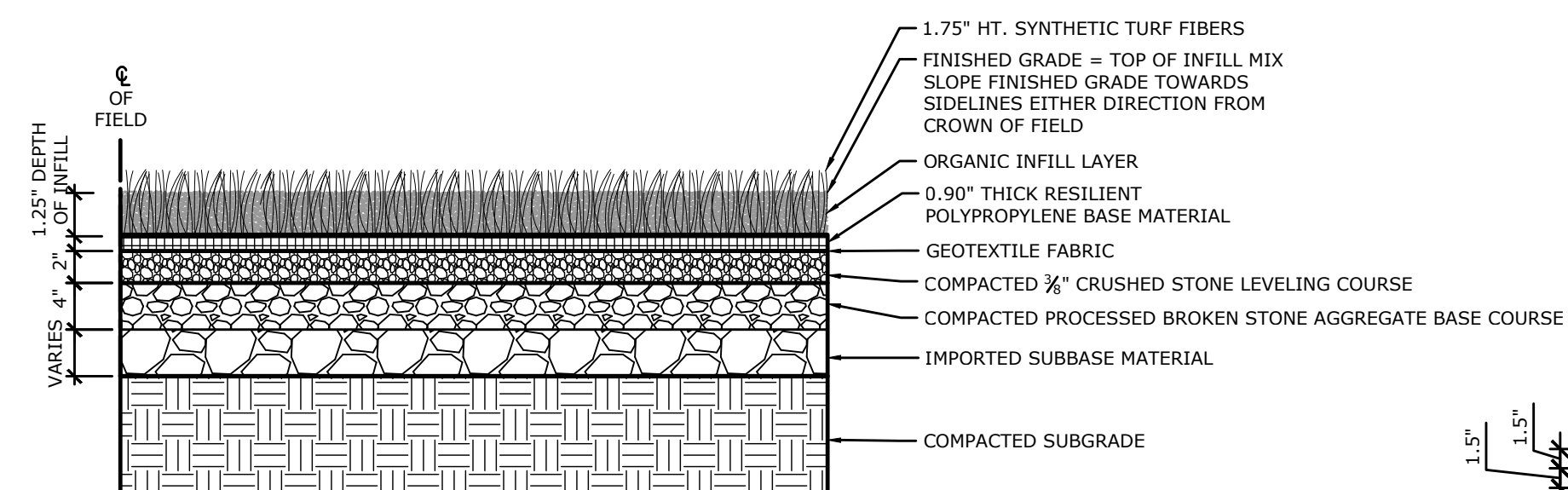
FOOTBALL GOAL POST
NOT TO SCALE



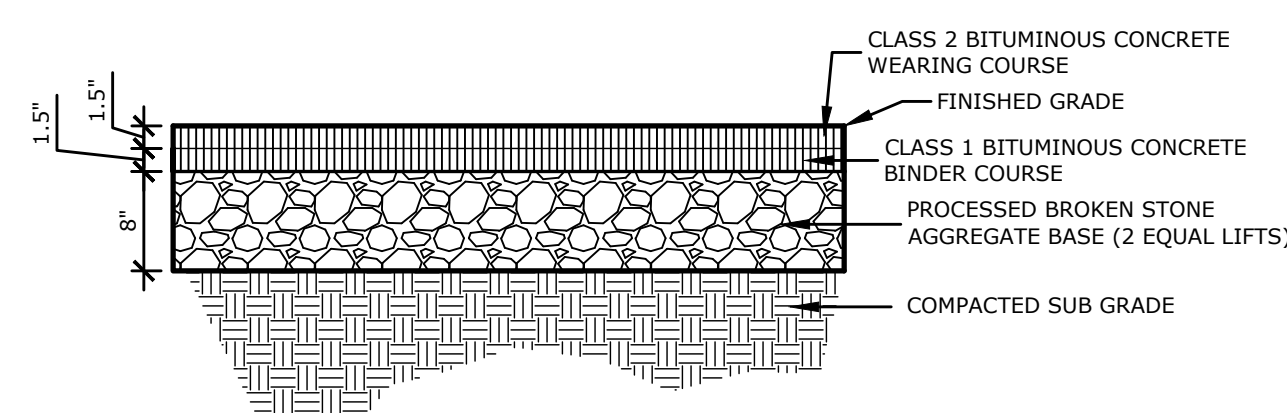
NOTE:

1. CONTRACTOR TO INSTALL FOOTBALL GOAL POST ACCESS FRAME IN ACCORDANCE TO MANUFACTURERS RECOMMENDATIONS.
2. ACCESS FRAME PLUG SHALL BE FLUSH WITH SURROUNDING TURF WHEN IN PLACE.
3. DETAIL TO BE COORDINATED WITH FOOTBALL GOAL POST MANUFACTURER
4. CONTRACTOR TO PROVIDE SHOP DRAWING FOR CONCRETE GOAL POST FOUNDATIONS.
5. FOUNDATION DESIGN SHALL BE SIGNED AND SEALED BY A PROFESSIONAL ENGINEER LICENSED IN THE STATE OF CONNECTICUT.

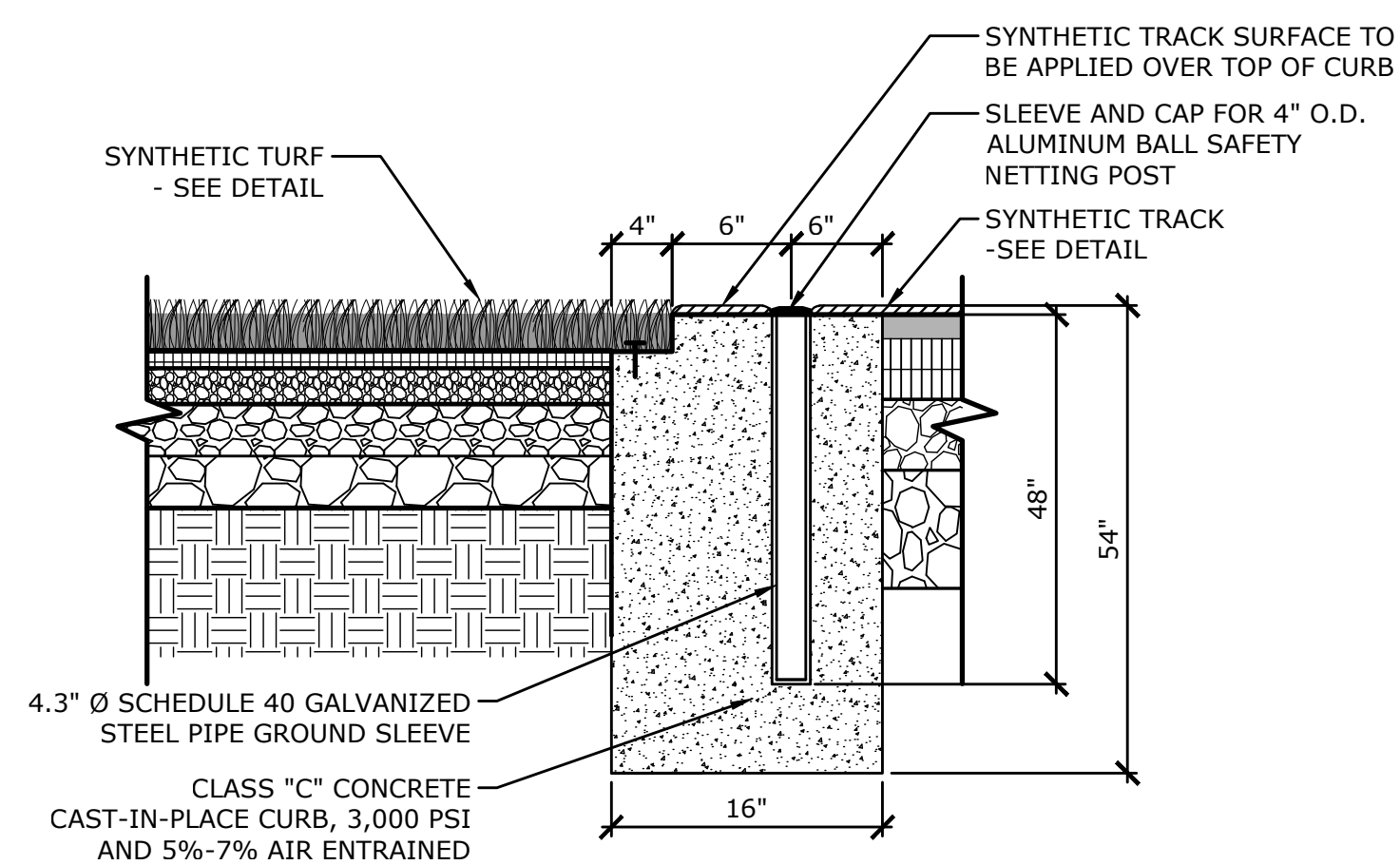
FOOTBALL GOALPOST ACCESS FRAME
NOT TO SCALE



**SYNTHETIC INFILL TURF ON RESILIENT
POLYPROPYLENE SHOCK/DRAINAGE PAD**
NOT TO SCALE



BITUMINOUS CONCRETE WALK
N.T.S.



ADD ALTERNATE NO. 5
SUPPLY AND INSTALL BALL SAFETY NETTING AND HARDWARE
MODEL: TFBSS415P
AS MANUFACTURED BY: SPORTSFIELD SPECIALTIES,
DELHI, NY, 888-975-3343 OR APPROVED EQUAL.

NOTES:

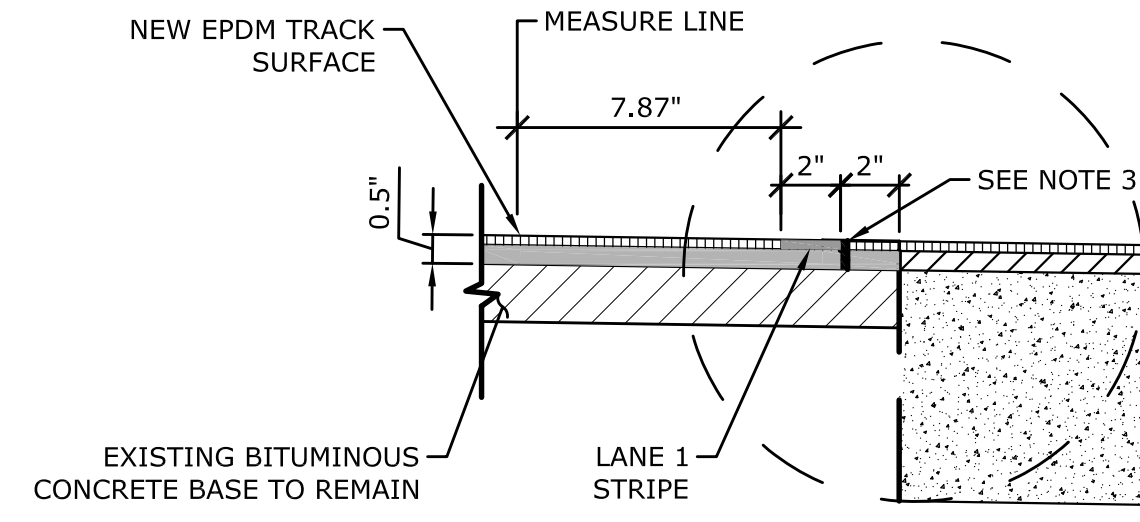
1. GROUND SLEEVES TO BE INSTALLED AT 20' O.C.
2. THIS CONDITION IS TYPICAL ALONG INTERFACE WITH SYNTHETIC TURF AND SYNTHETIC TRACK SURFACE AT PAVED D-ZONES.
3. REFER TO SYNTHETIC SURFACE DETAIL FOR MORE INFORMATION ON BASE MATERIAL.
4. PROVIDE EXPANSION JOINTS IN CURB @ 20' MAXIMUM.
5. CONTRACTOR SHALL COORDINATE ANCHORAGE OF TURF WITH SUPPLIER FOR TURF ATTACHMENT REQUIREMENTS AT CURB.
6. SYNTHETIC TRACK SURFACING SHALL EXTEND OVER TOP OF CURB.

FLUSH CONCRETE CURB AT DZONE
NOT TO SCALE

DESCRIPTION	DATE	BY

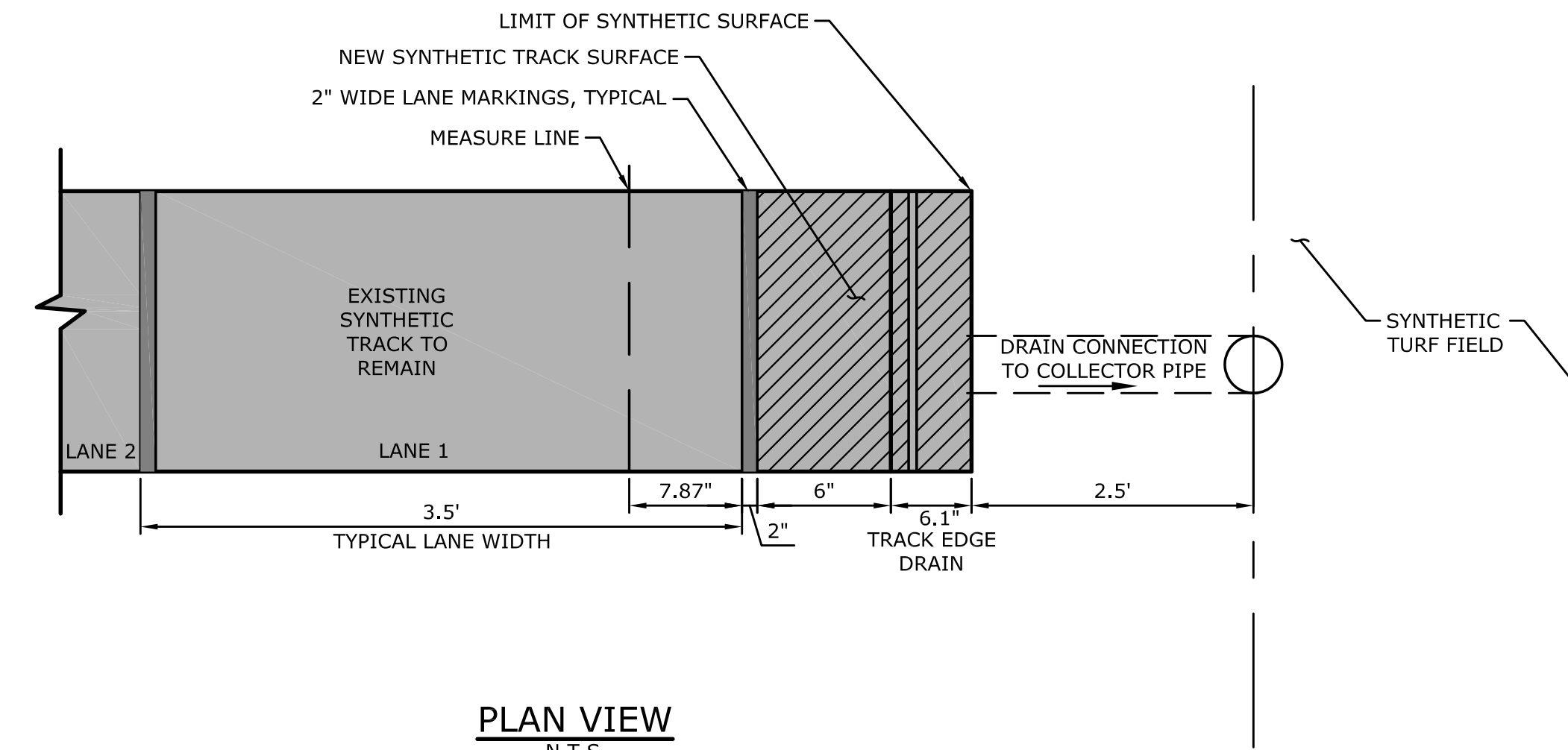
SITE DETAILS
MASUK HIGH SCHOOL
TRACK & FIELD IMPROVEMENTS
1014 MONROE TURNPIKE
MONROE, CONNECTICUT

KCF	HAR	DJK
DESIGNED	DRAWN	CHECKED
SCALE: N.T.S.		
DATE: APRIL 25, 2016		
PROJECT NO.: 5660-02		
SHEET NO.: SD-2		

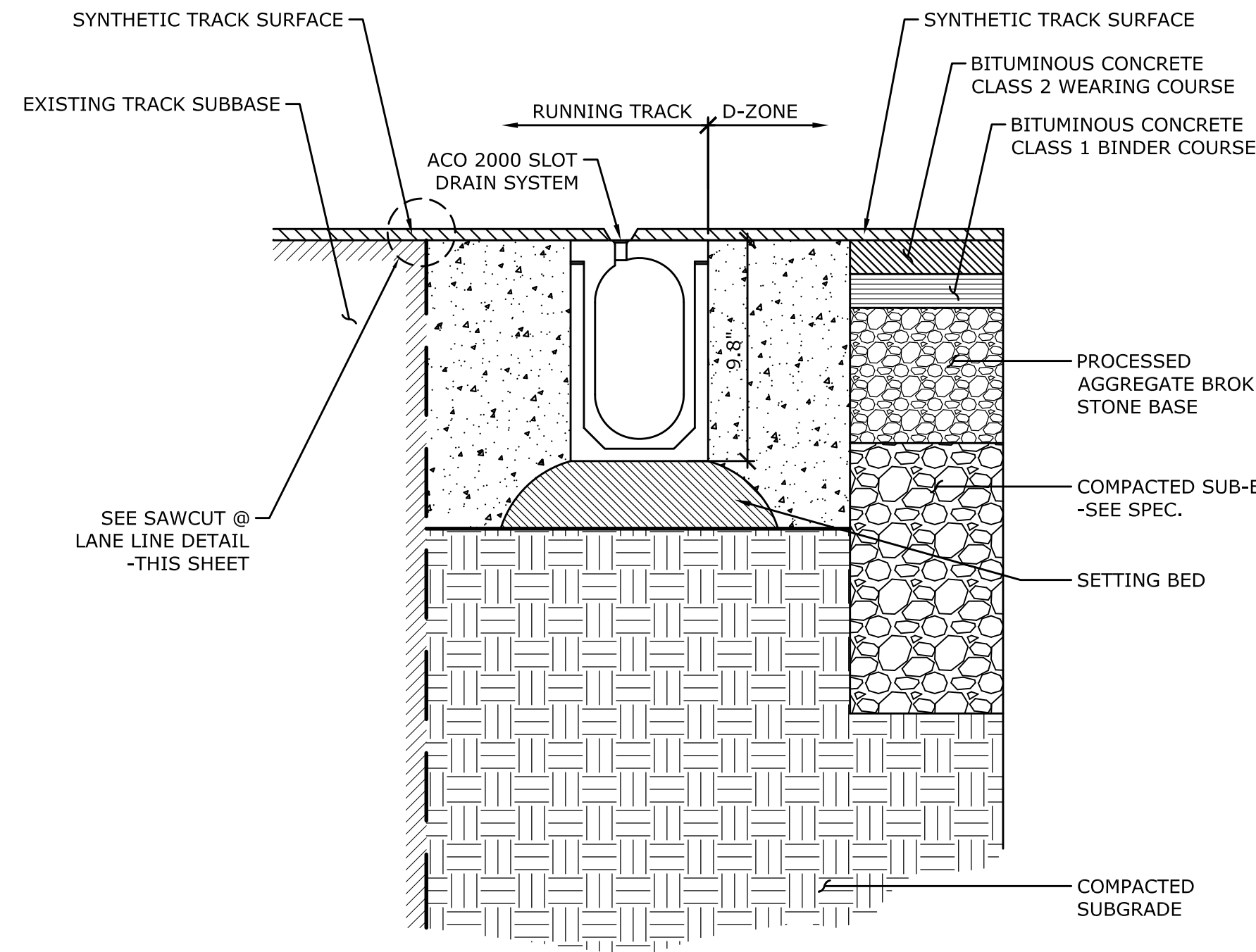


- NOTE:**
SEQUENCE OF WORK:
1. SAW-CUT BITUMINOUS CONCRETE 2" AWAY FROM INSIDE WHITE LANE LINE. PROVIDE $\frac{3}{8}$ " x $\frac{1}{2}$ " DEEP KERF.
 2. EXCAVATE FOR AND INSTALL TRACK EDGE DRAIN IN ACCORDANCE WITH DETAIL. KNIFE CUT AND REMOVE EPDM SURFACE AT INSIDE EDGE OF LANE ONE STRIPE.
 3. INSTALL CONCRETE TRACK SURFACE PER DETAIL BETWEEN TRACK EDGE DRAIN AND SAW-CUT LINE.
 4. INSTALL $\frac{1}{2}$ " DEPTH TRACK SURFACE.

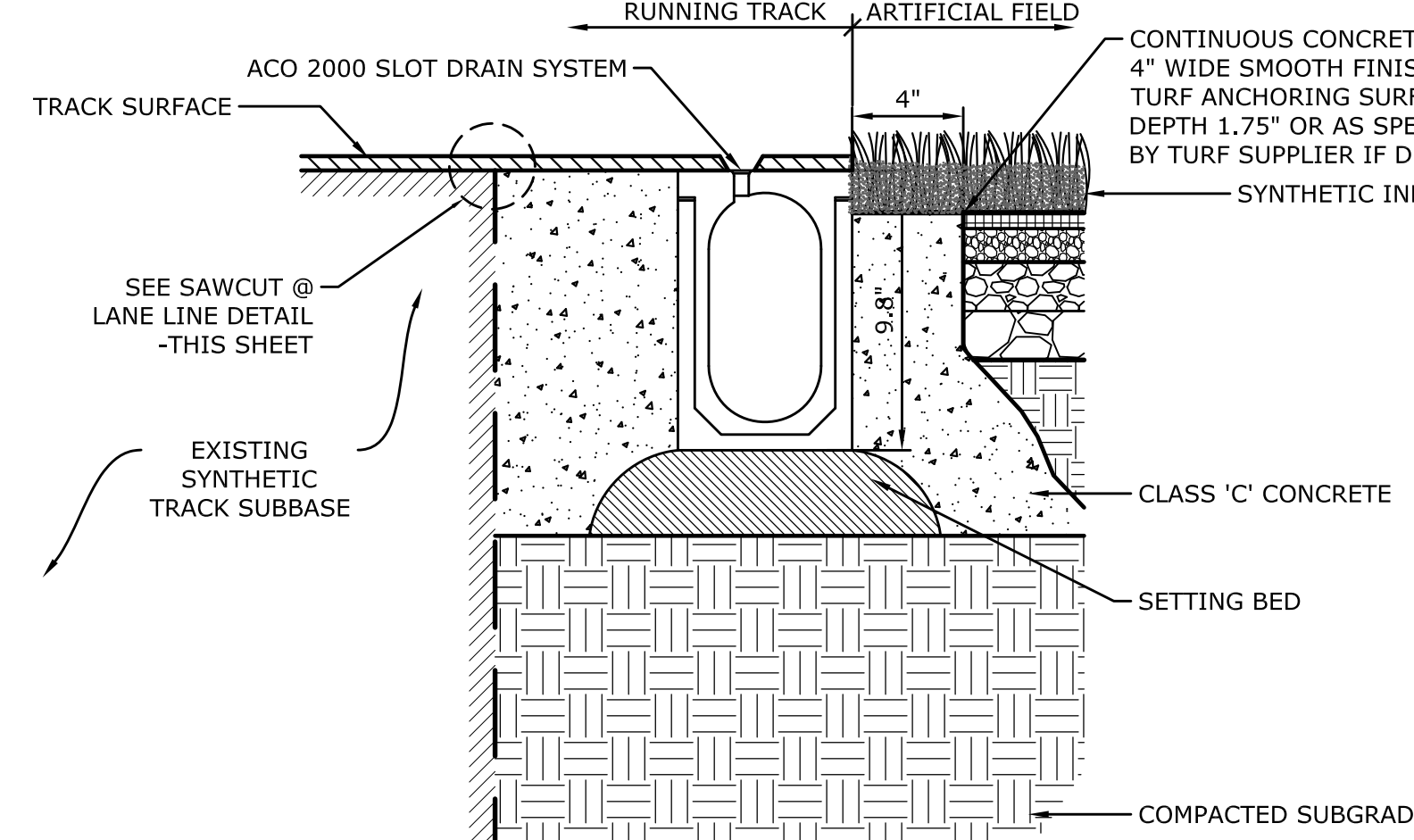
SAWCUT DETAIL @ LANE LINE
N.T.S.



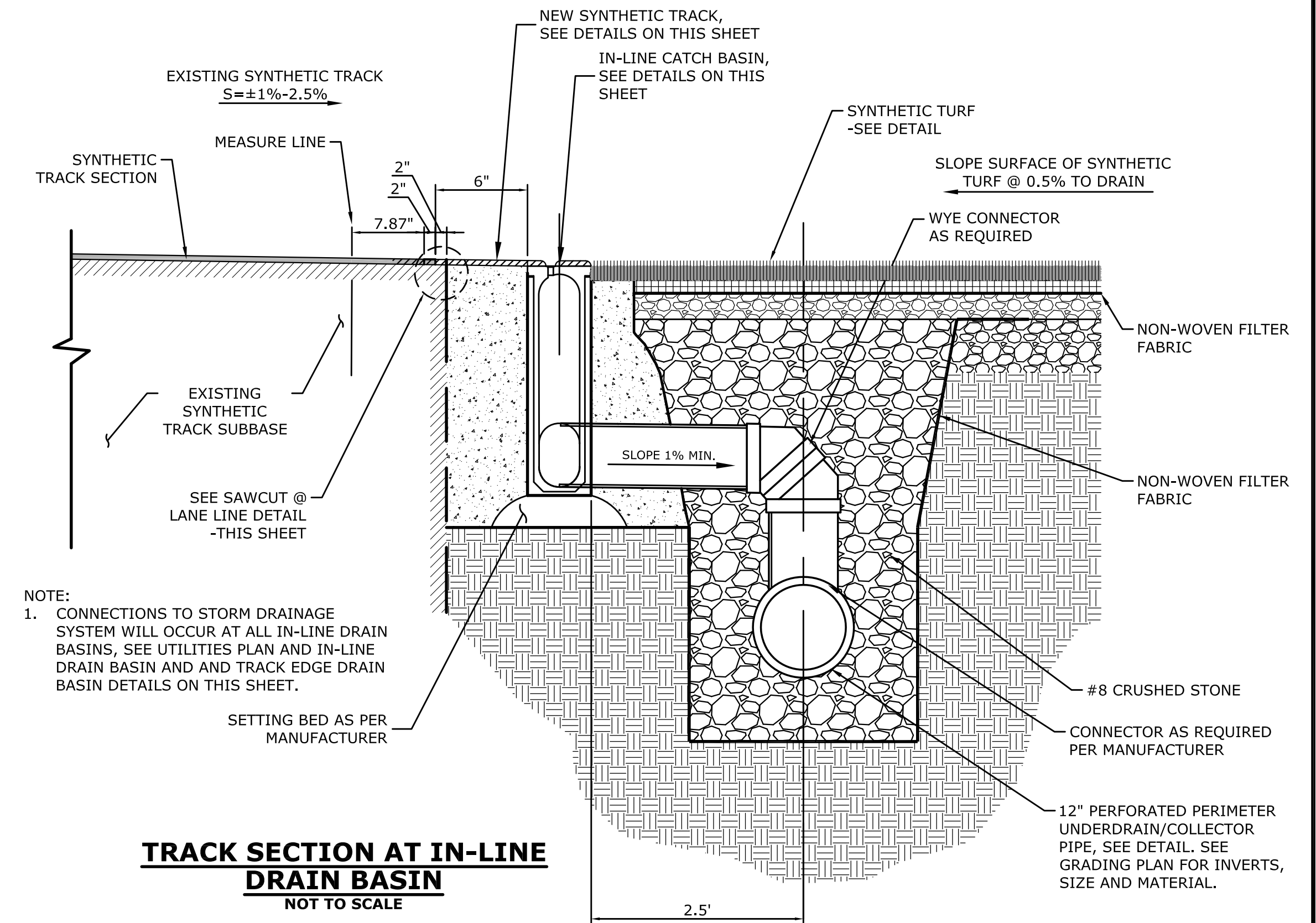
PLAN VIEW
N.T.S.



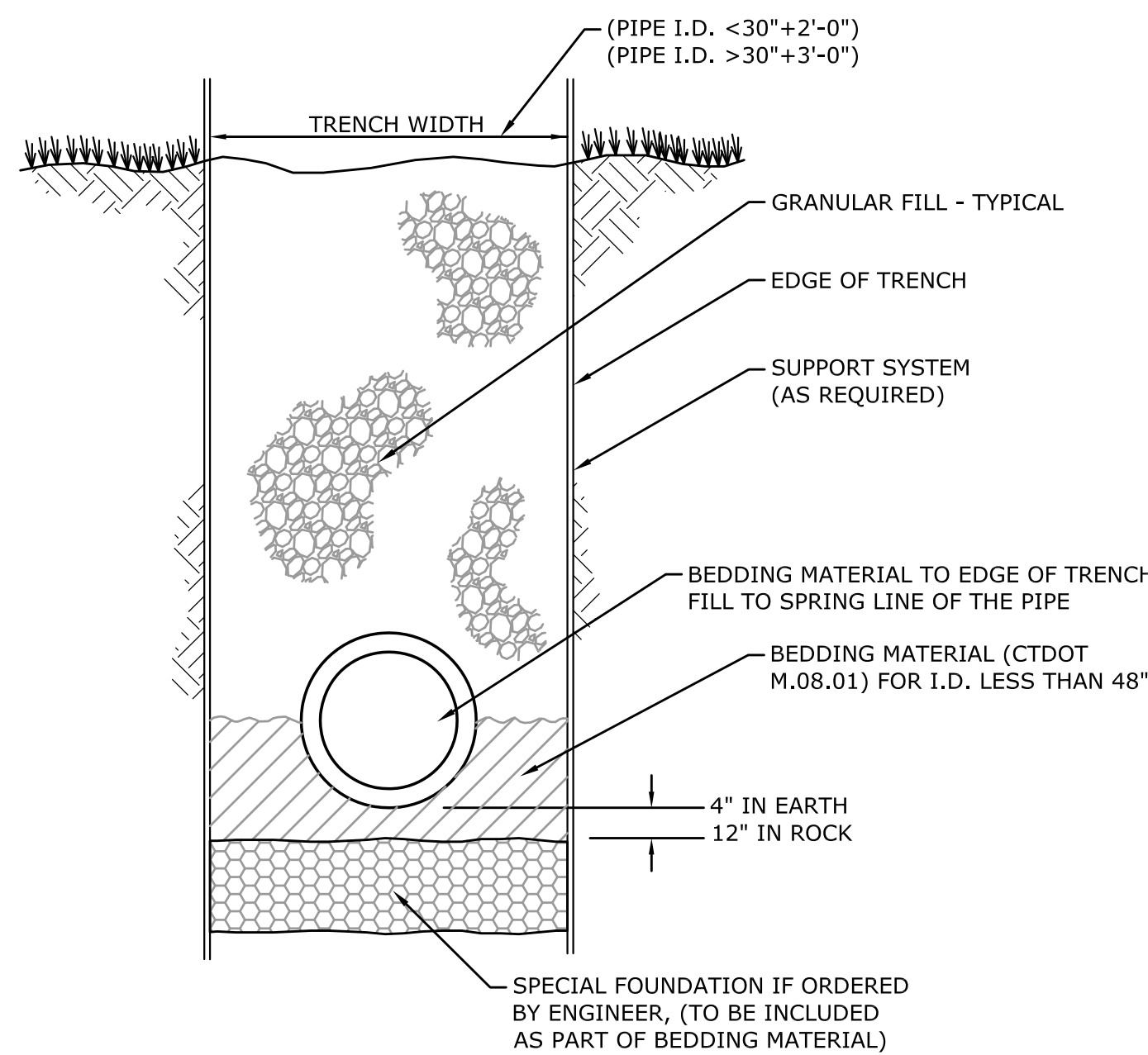
TRACK EDGE DRAIN AT D-ZONE (ALONG RADIUS)
SCALE: 1"=6'



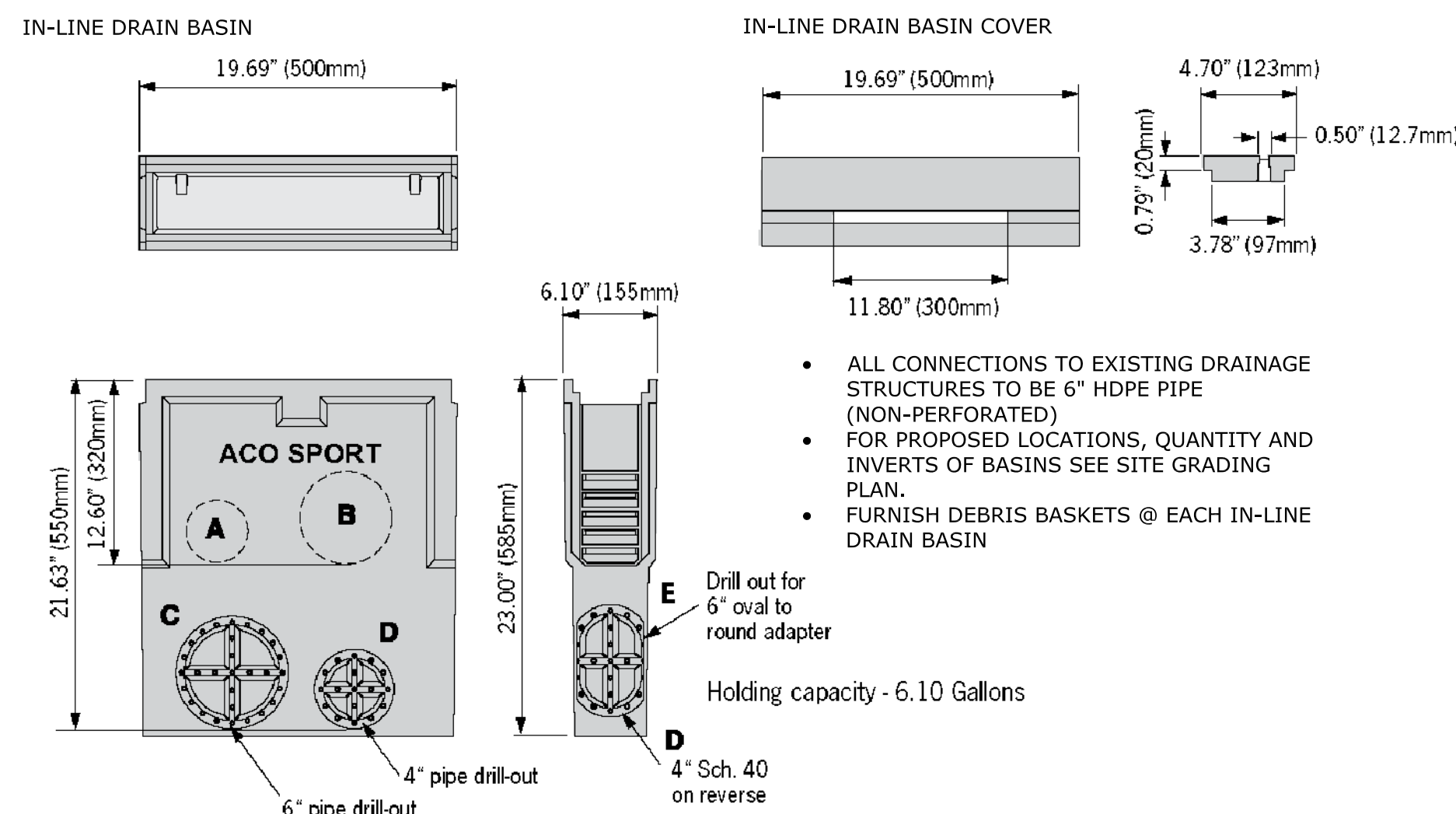
TRACK EDGE DRAIN AT SYNTHETIC FIELD
NOT TO SCALE



TRACK SECTION AT IN-LINE DRAIN BASIN
NOT TO SCALE

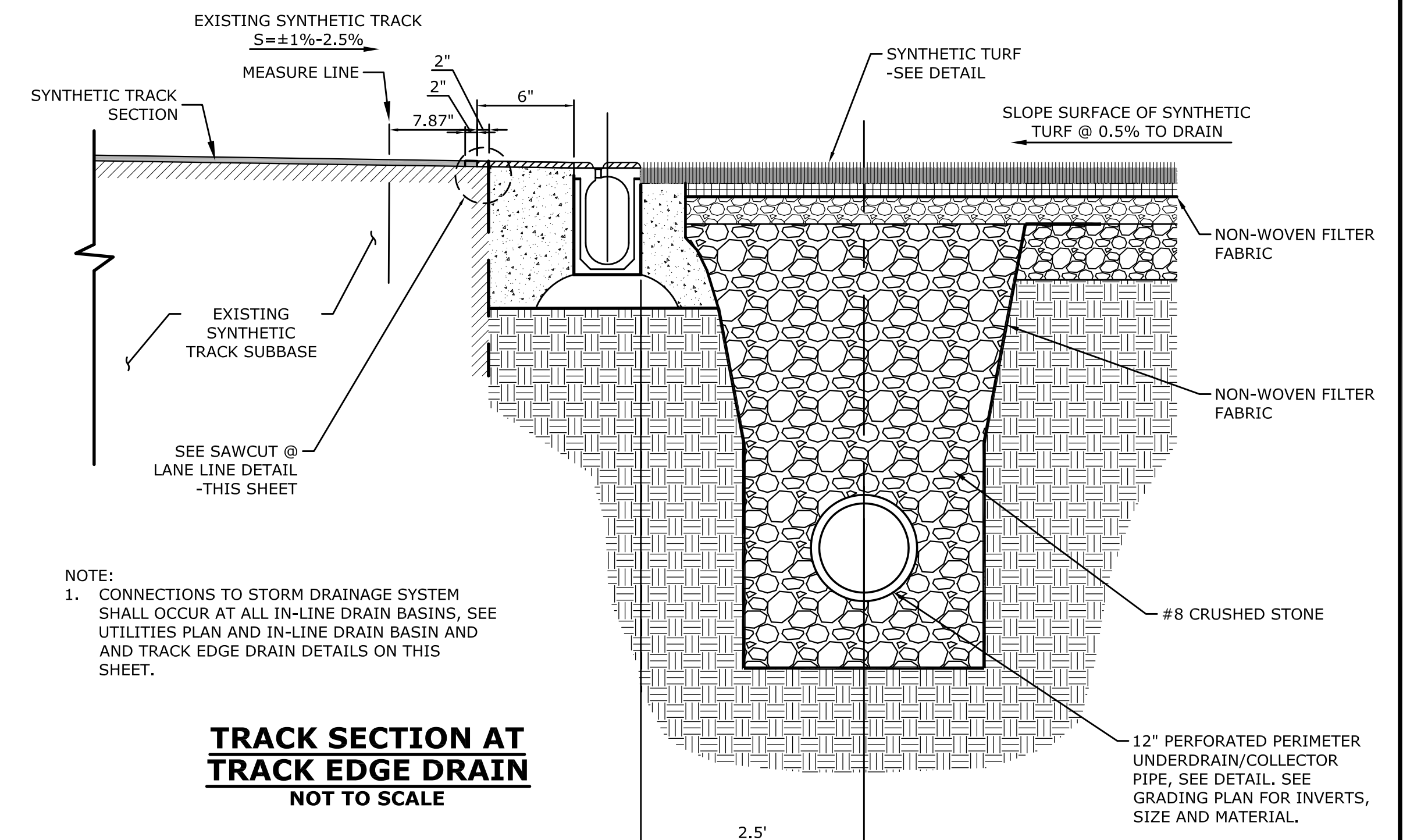


TYPICAL TRENCH SECTION STORM DRAINS AND CULVERTS
NOT TO SCALE



IN-LINE DRAIN BASIN
NOT TO SCALE

- NOTES:**
1. TRACK EDGE DRAIN AND IN-LINE DRAIN BASIN SHALL BE SYSTEM 2000 AS MANUFACTURED BY ACO POLYMER PRODUCTS, INC., CHARDON, OH, PH#(800) 543-4764 AND DISTRIBUTED BY SPORTSFIELD SPECIALTIES, INC., DELHI, NY, PH# (888) 975-EDGE OR APPROVED EQUAL.
 2. INVERT OF EDGE DRAIN DOES NOT CHANGE. DEPTH TO BOTTOM OF CHANNEL REMAINS CONSTANT.
 3. STRUCTURAL SPRAY COAT SHALL BE APPLIED TO DRAIN & BASIN COVERS. MASK OFF DRAINAGE SLOT WHEN APPLYING SURFACE TO PROTECT FROM OVERSPRAY.



TRACK SECTION AT TRACK EDGE DRAIN
NOT TO SCALE

MILONE & MACBROOM
99 Realty Drive
Cheshire, Connecticut 06410
(203) 271-1773 Fax (203) 272-9733
www.miloneandmacbroom.com

DATE	DESCRIPTION

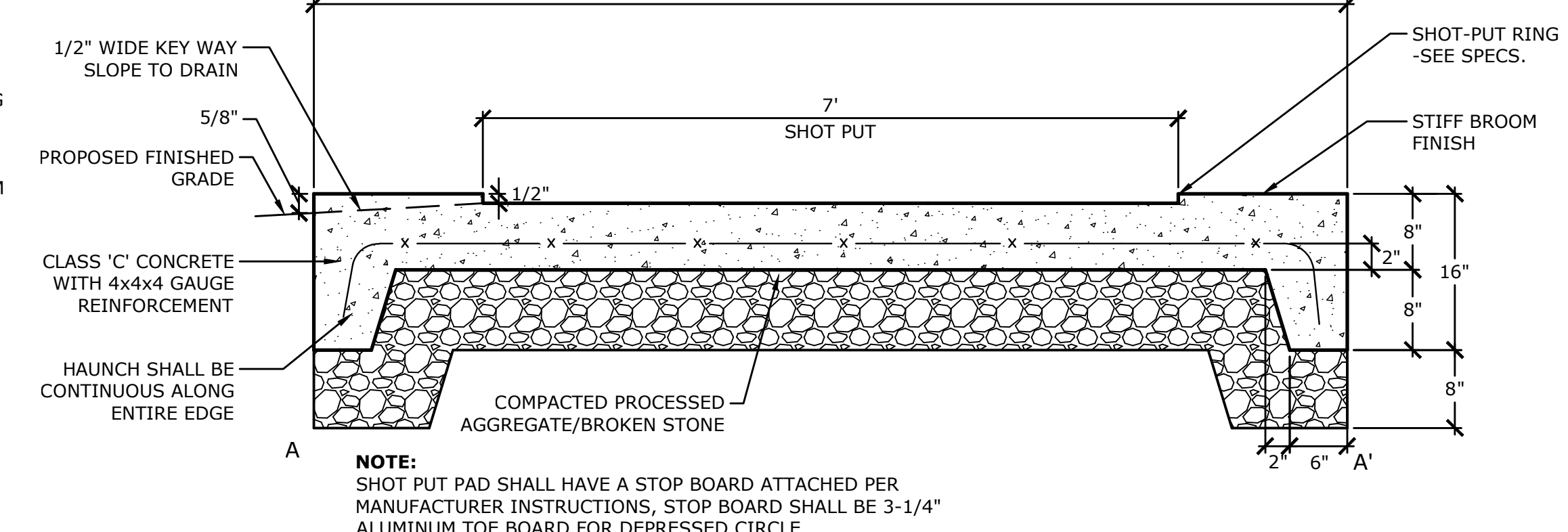
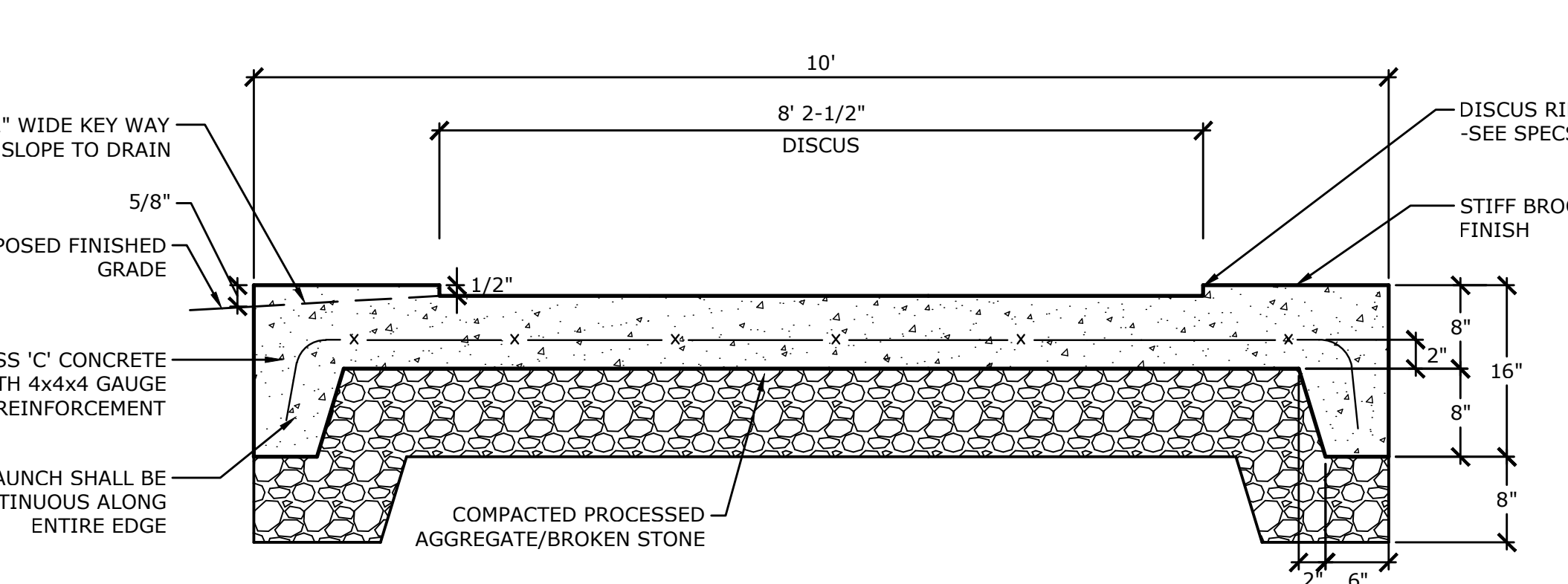
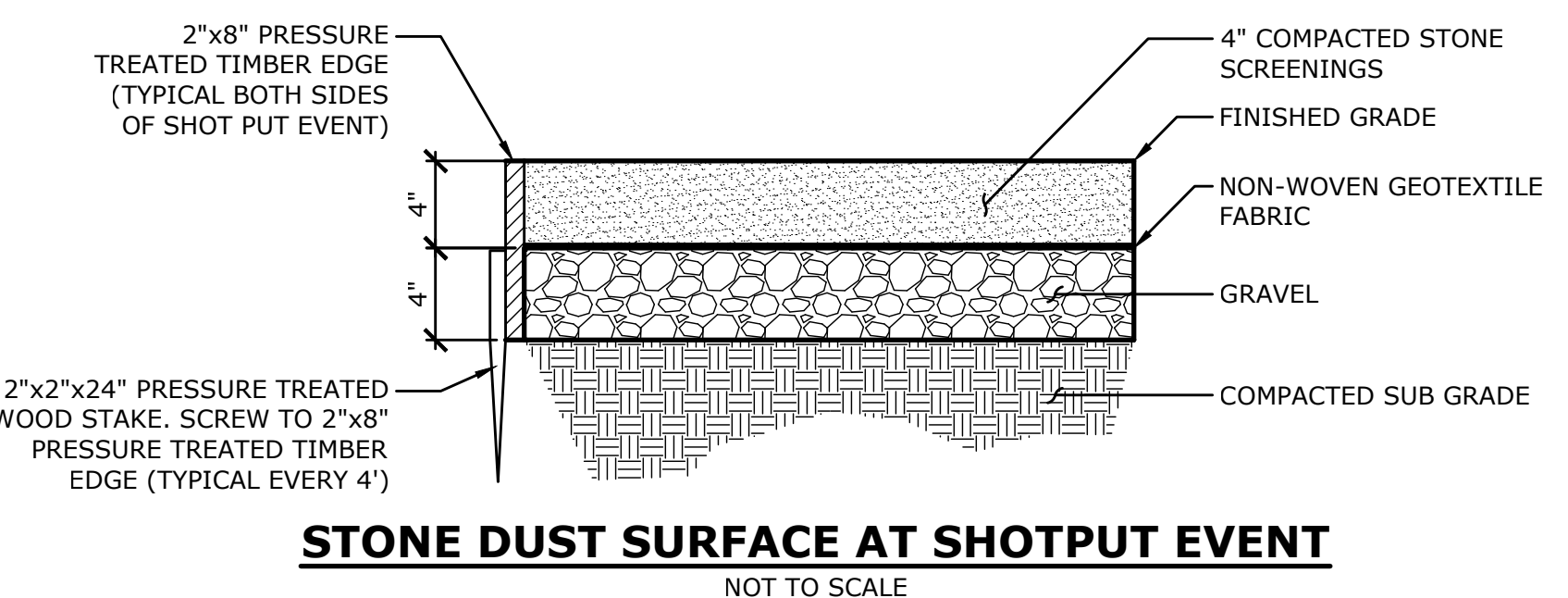
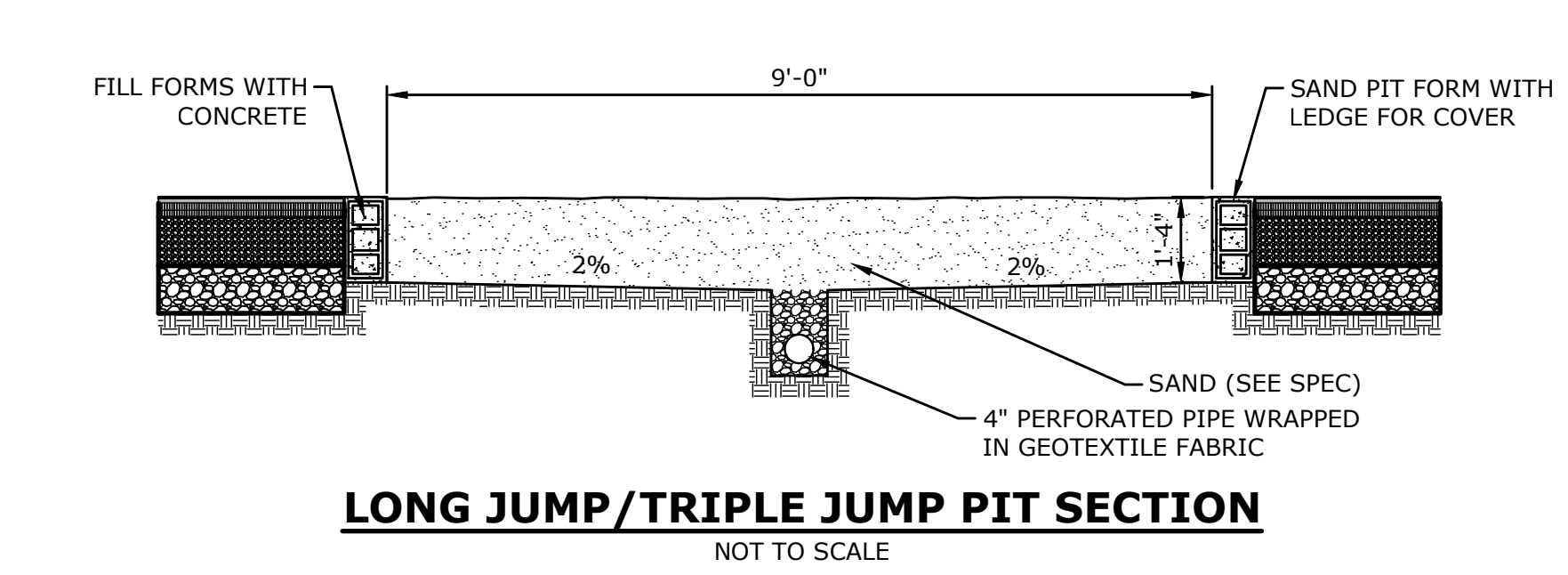
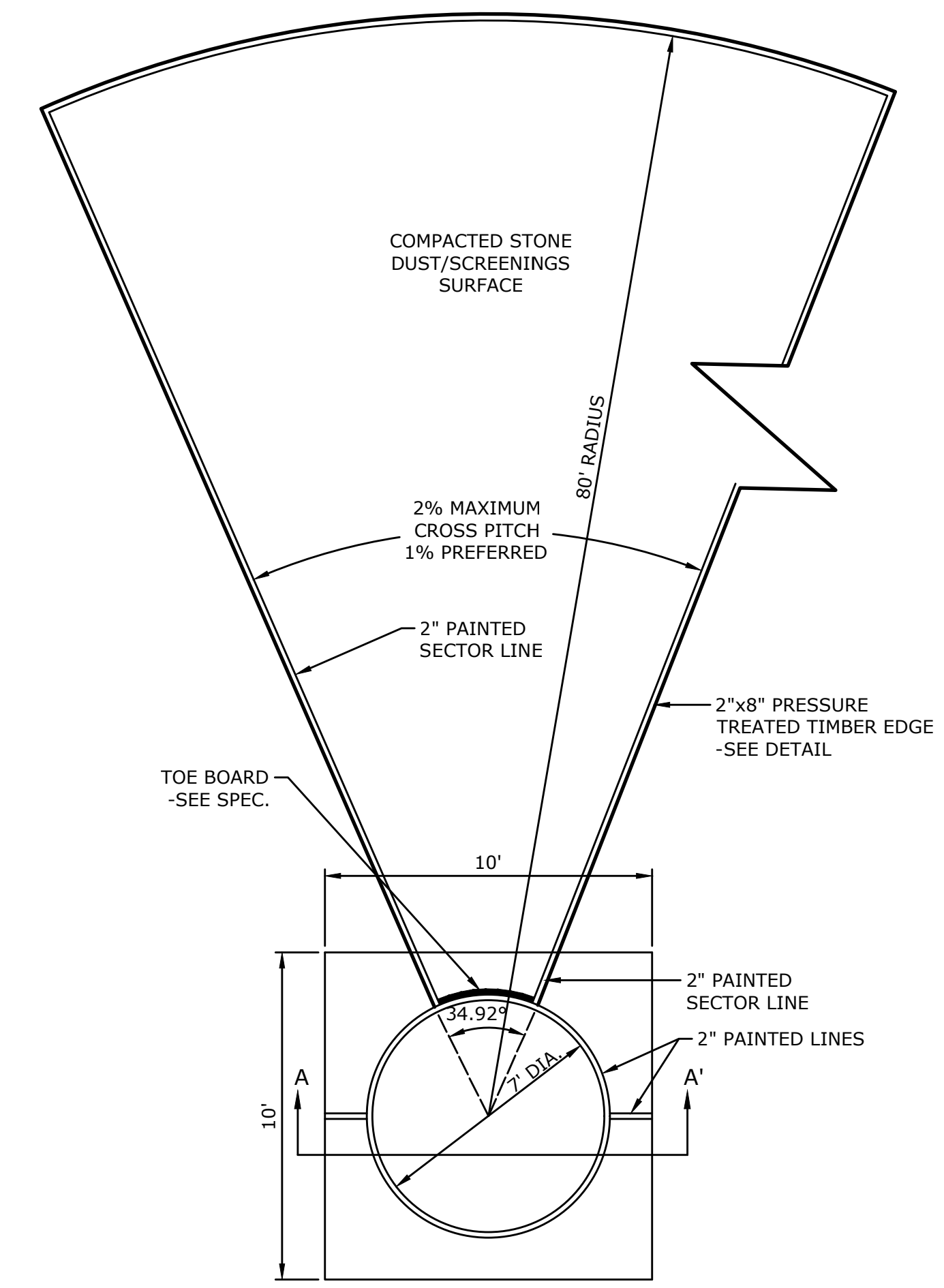
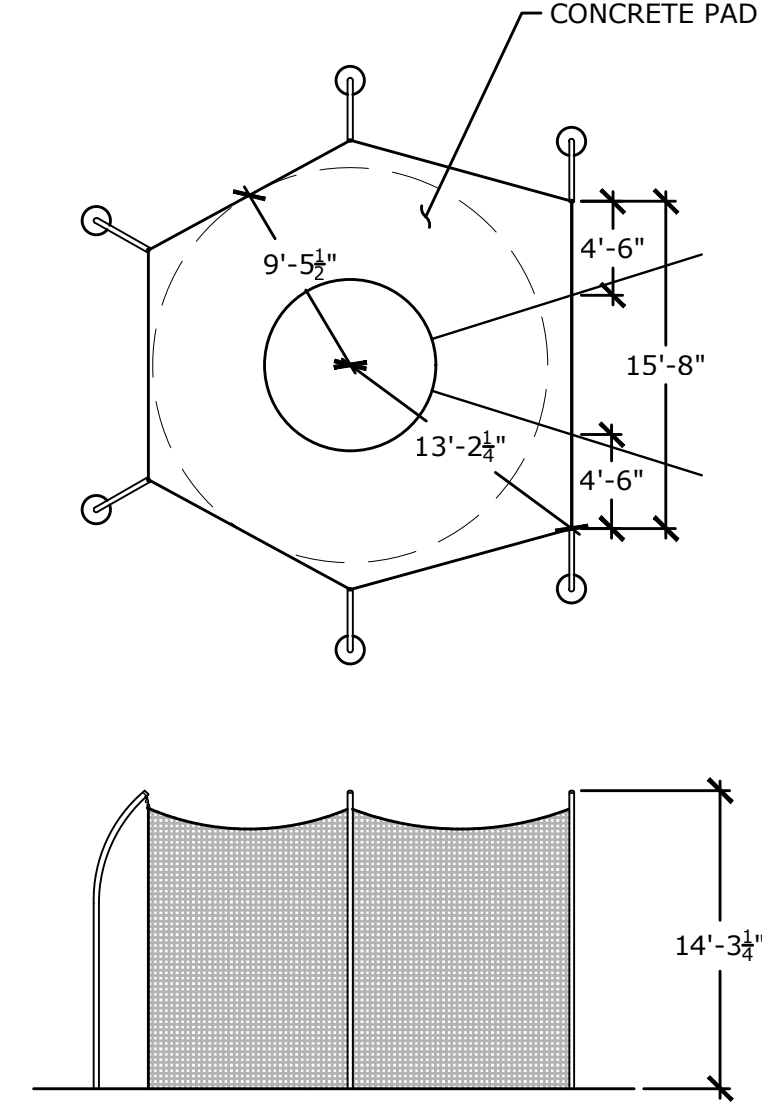
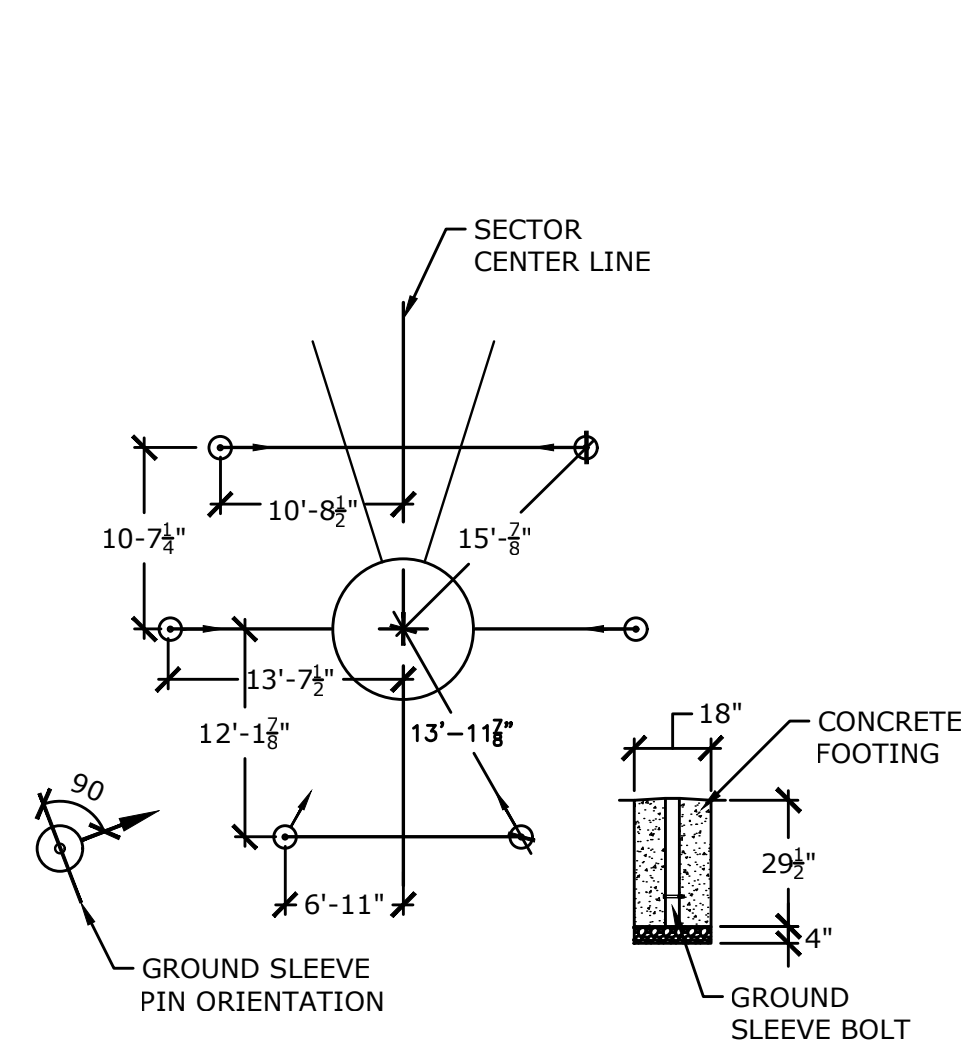
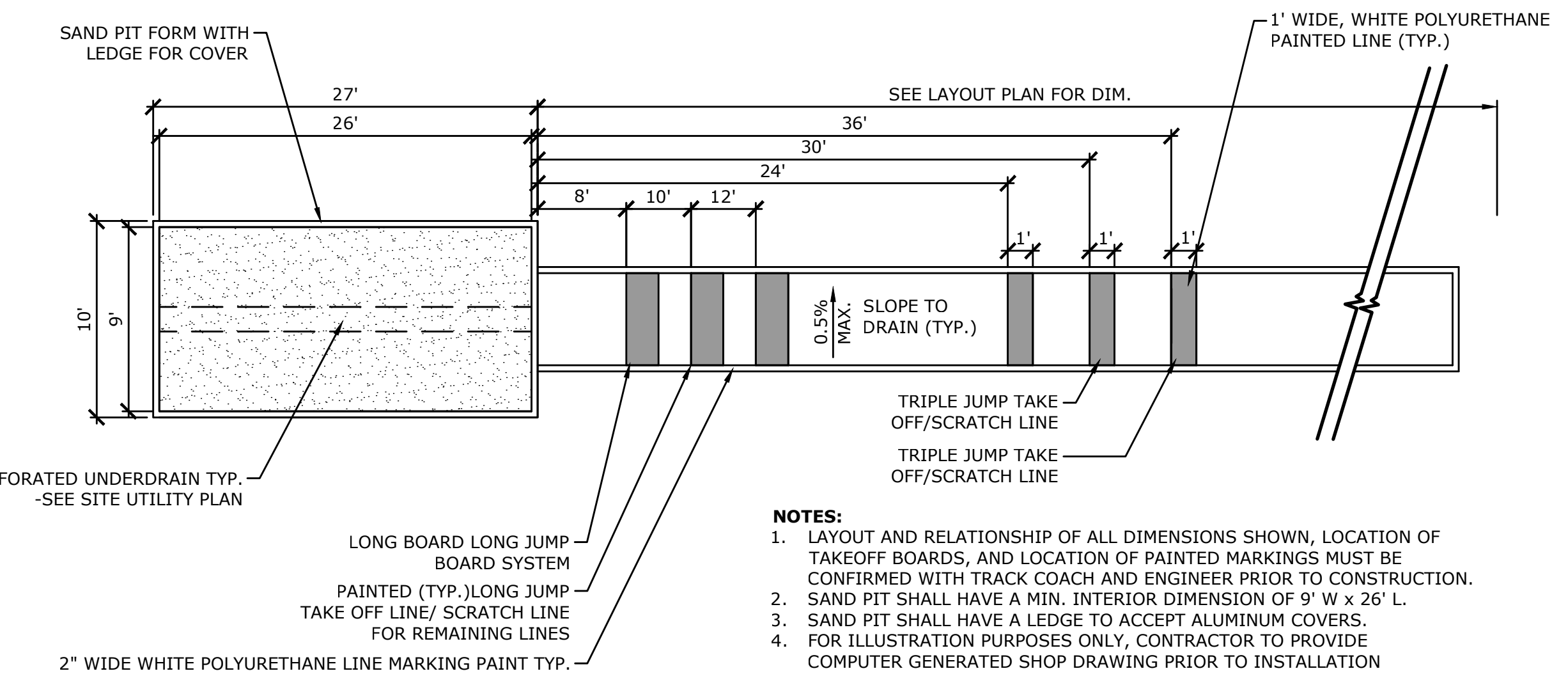
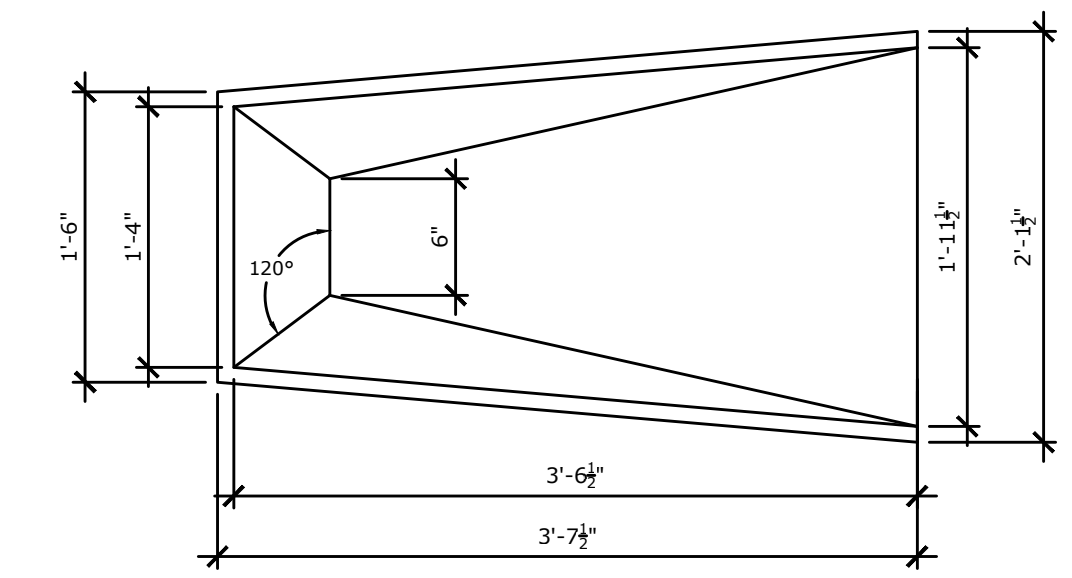
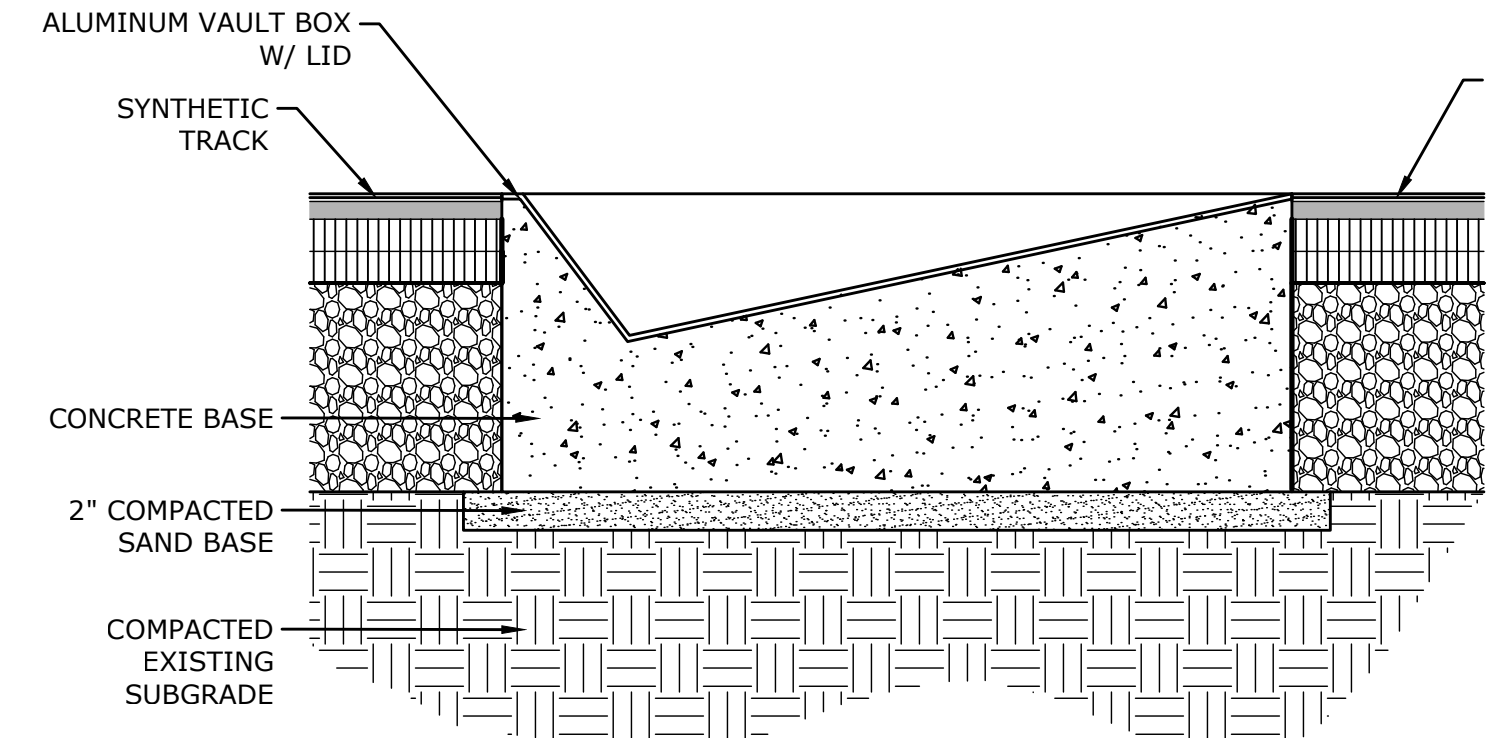
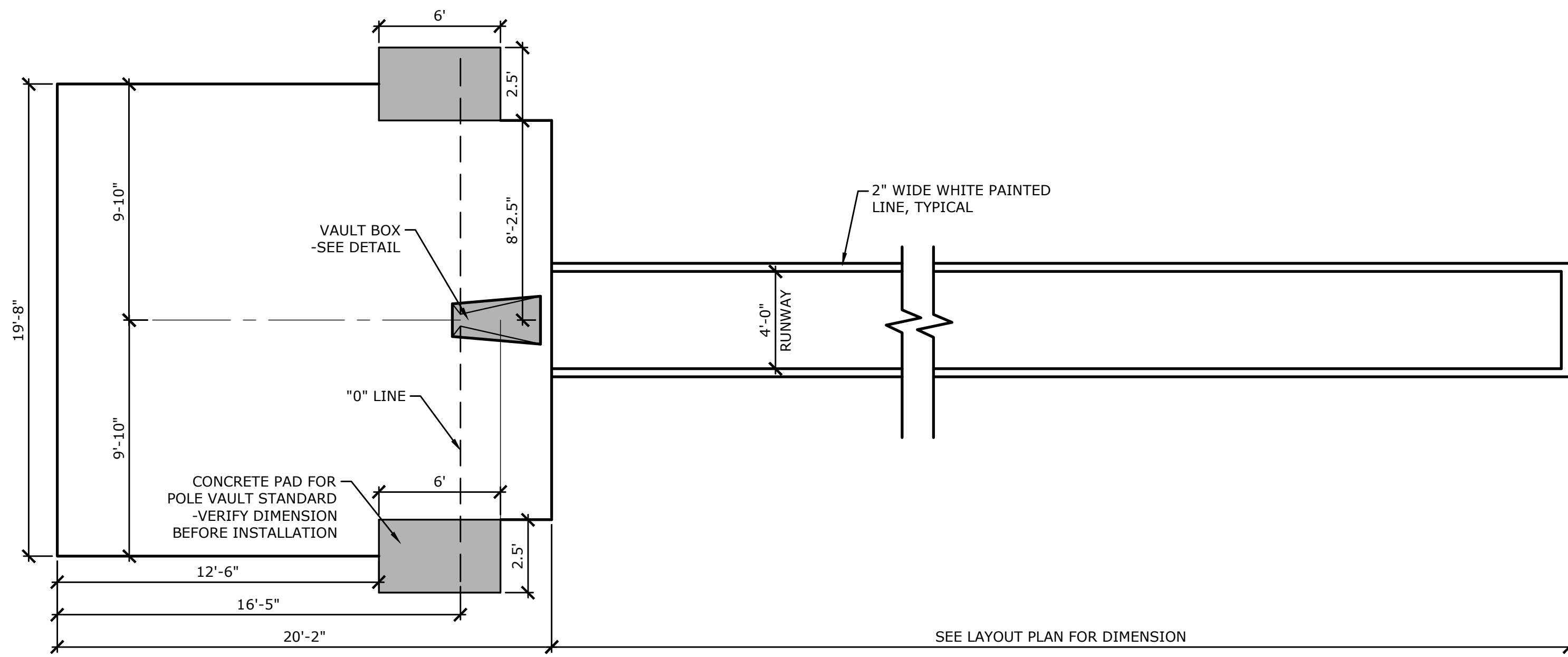
BID DOCUMENTS

SITE DETAILS
MASUK HIGH SCHOOL
TRACK & FIELD IMPROVEMENTS
1014 MONROE TURNPIKE
MONROE, CONNECTICUT

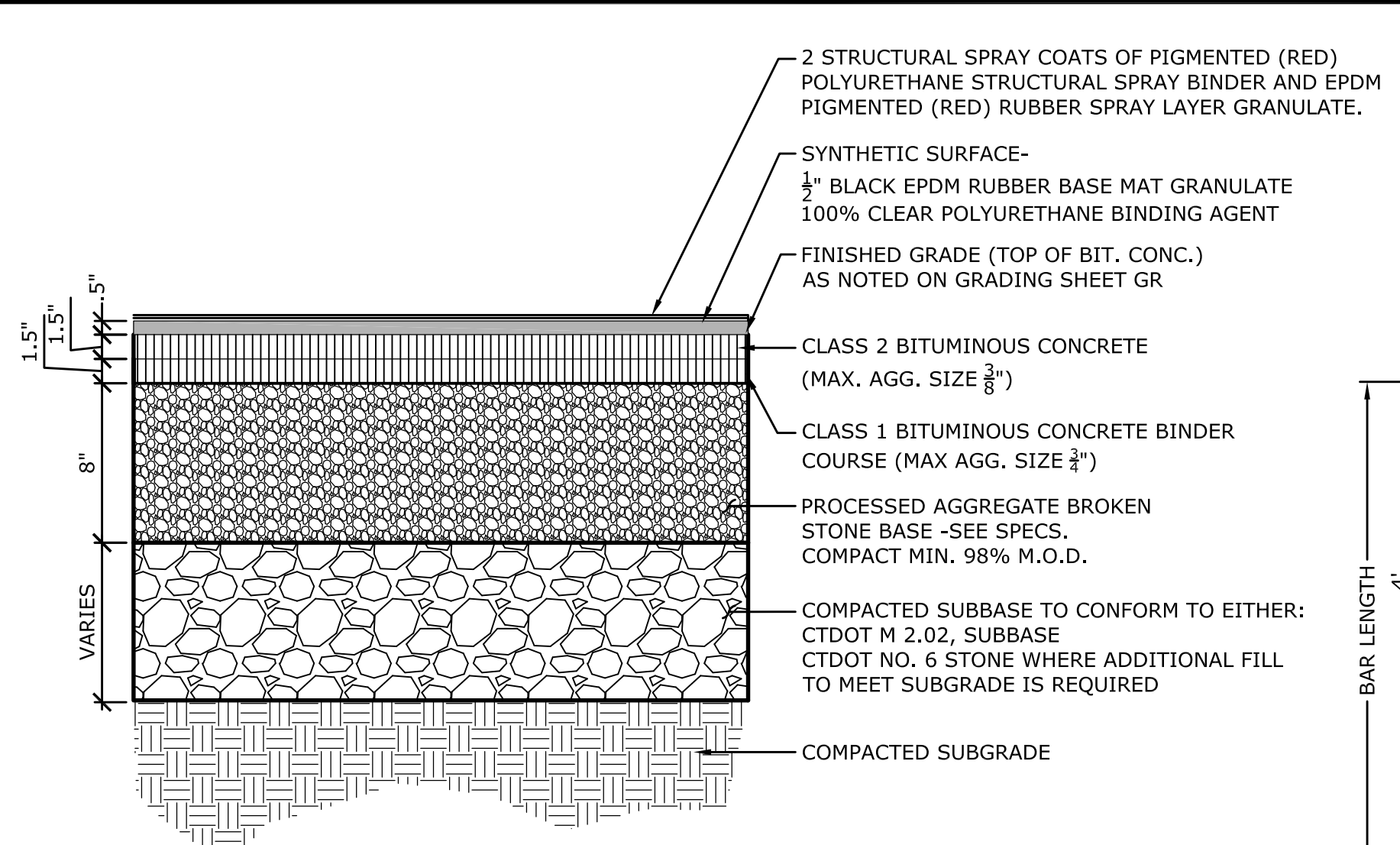
KCF	HAR	DJK
DESIGNED	DRAWN	CHECKED

SCALE: N.T.S.
DATE: APRIL 25, 2016
PROJECT NO.: 5660-02
SHEET NO.: SD-3

Copyright Milone & MacBroom, Inc. - 2015

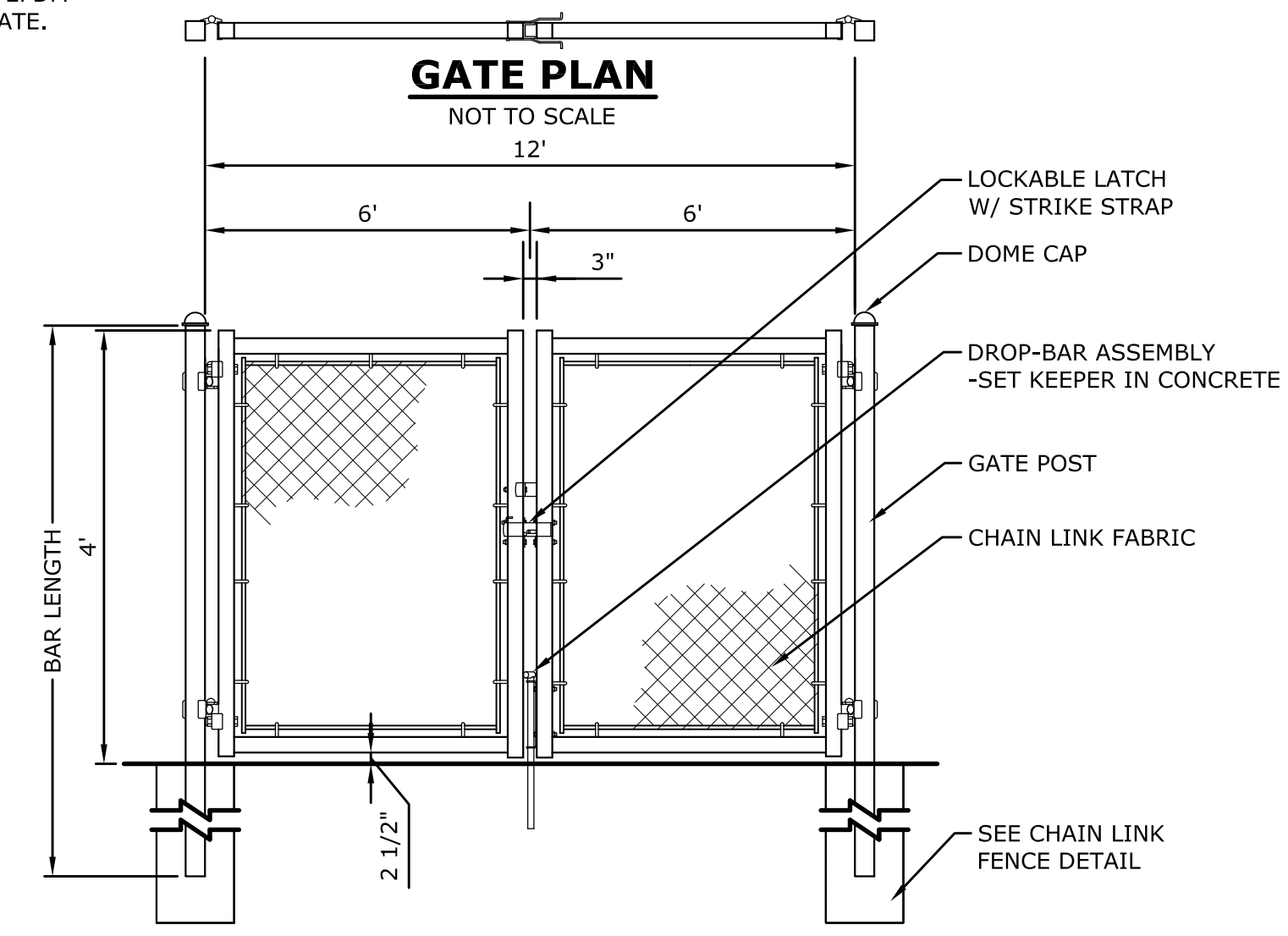


MILONE & MACBROOM®		
99 Realty Drive Cheshire, Connecticut 06410 (203) 271-1773 Fax (203) 272-9733 www.miloneandmacbroom.com		
DESIGNER	DRAWN	CHECKED
DATE		
DESCRIPTION		
SITE DETAILS		
MASUK HIGH SCHOOL TRACK & FIELD IMPROVEMENTS		
1014 MONROE TURNPIKE MONROE, CONNECTICUT		
KCF	HAR	DJK
DESIGNED	DRAWN	CHECKED
N.T.S.		
DATE APRIL 25, 2016		
PROJECT NO. 5660-02		
SHEET NO.		
SD-4		
SHEET NAME		



NOTES:
 THE TRACK SURFACING SHALL HAVE CROSS PITCH OF 2% MAX. IN ANY DIRECTION.

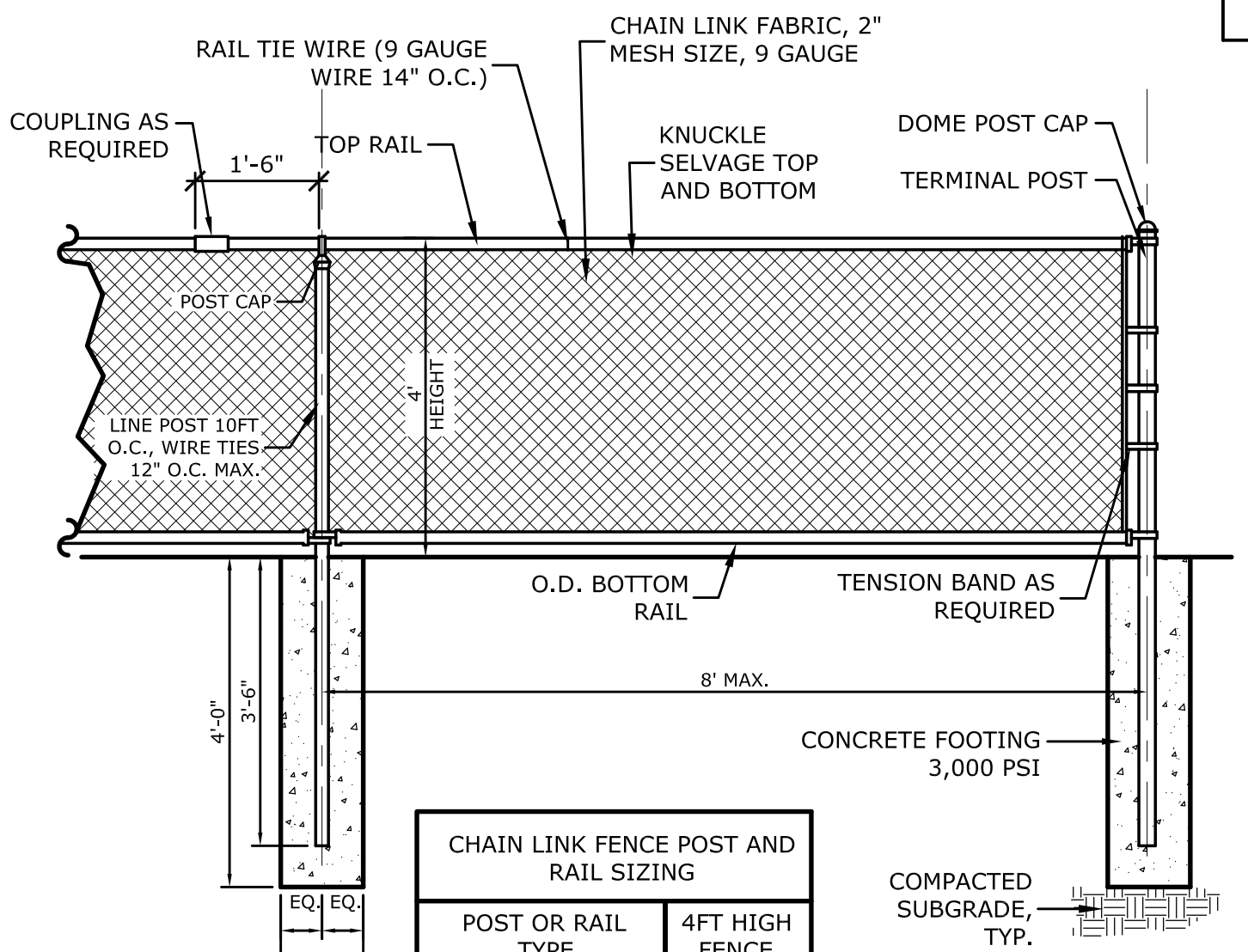
SYNTHETIC TRACK
 NOT TO SCALE



DOUBLE CHAIN LINK FENCE GATE
 NOT TO SCALE

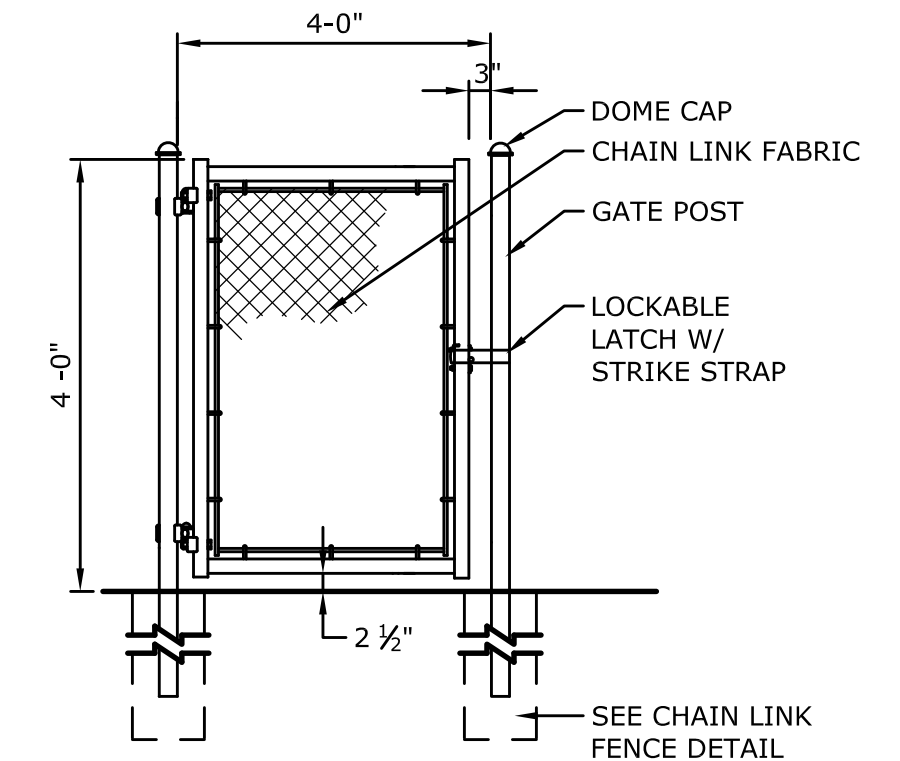
DOUBLE LEAF GATES		
OPENING	GATE POSTS	HINGE SPACE (S)
FACE TO FACE	SQ & RND SIZES	POST TO UPRIGHT
12'-0"	2 7/8" OR 2.875" OD	FOR SQUARE & ROUND GATE POSTS: 2 7/8"

NOTES:
 1. MATERIALS AND METHOD OF CONSTRUCTION SHALL CONFORM TO CHAIN LINK FENCE DETAIL ON THIS SHEET.
 2. CONTRACTOR TO SUBMIT SHOP DRAWINGS,



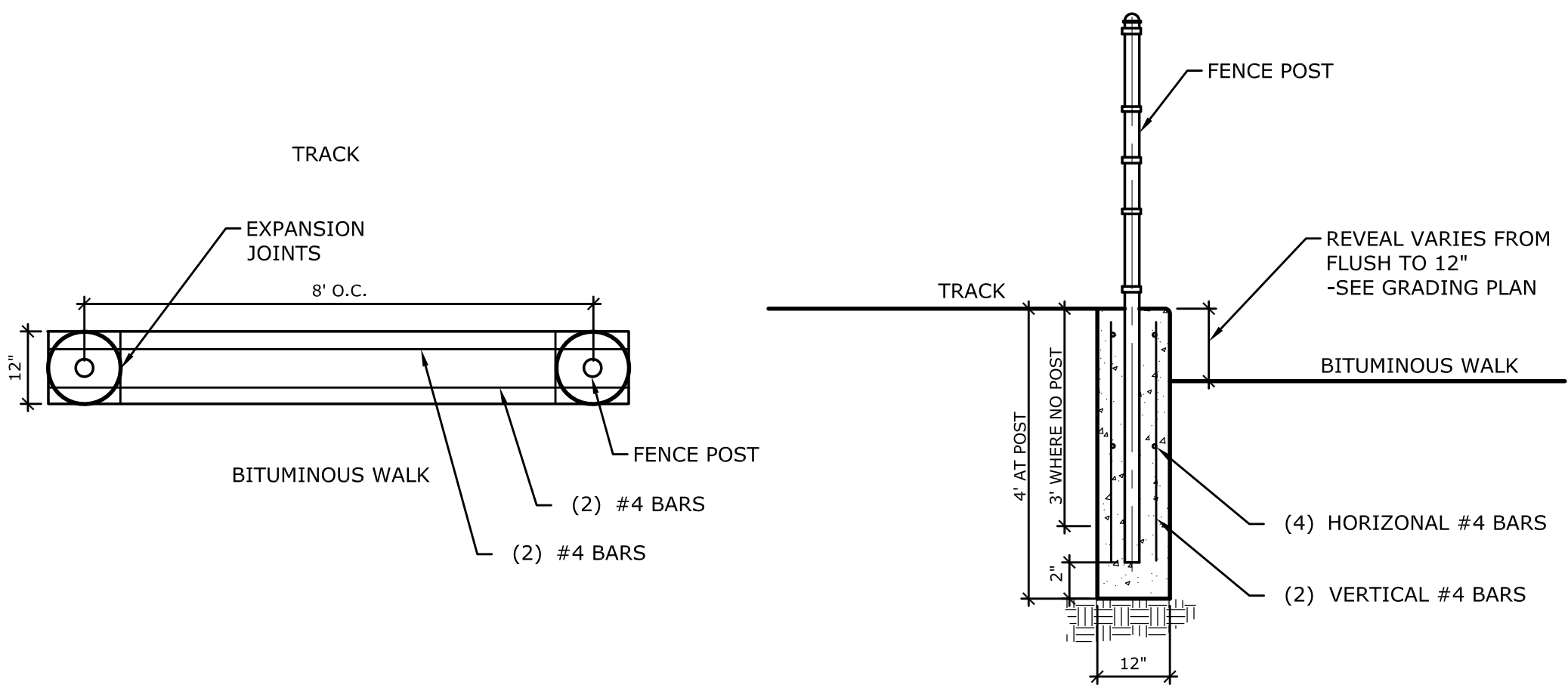
CHAIN LINK FENCE POST AND RAIL SIZING	
POST OR RAIL TYPE	4FT HIGH FENCE
TERMINAL OR COMMON	2-7/8"
LINE POST	1-7/8"
TOP RAIL	1-5/8"
INTERMEDIATE RAIL	NONE
BOTTOM RAIL	1-5/8"
GATE POST	2-7/8"
GATE FRAME	1-7/8"

GALVANIZED CHAIN LINK FENCE
 NOT TO SCALE



NOTES:
 1. MATERIALS AND METHOD OF CONSTRUCTION SHALL CONFORM TO CHAIN LINK FENCE DETAIL ON THIS SHEET AND SPECIFICATIONS
 2. CONTRACTOR TO SUBMIT SHOP DRAWINGS

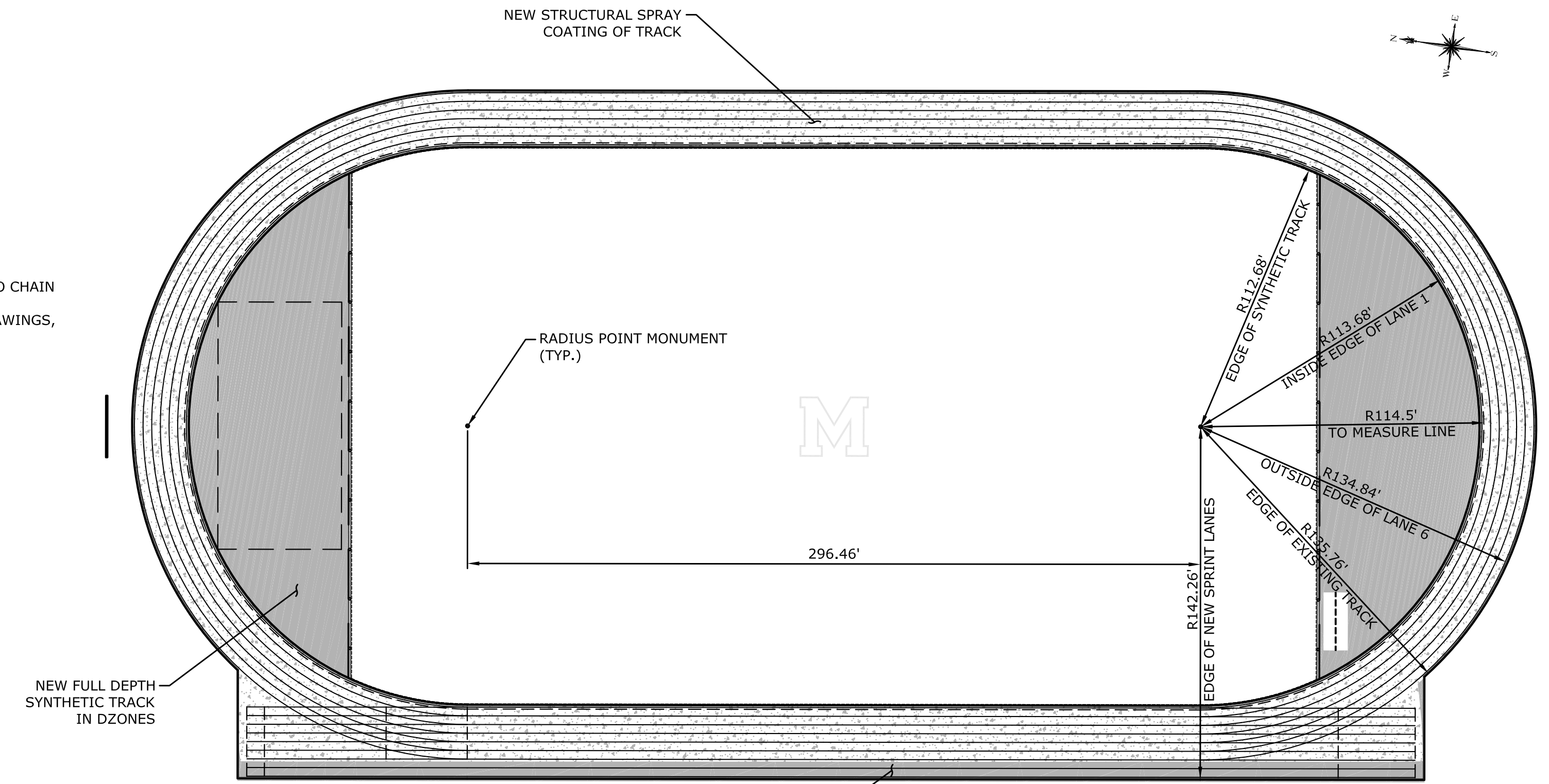
SINGLE CHAIN LINK FENCE GATE
 N.T.S.



PLAN VIEW

SECTION VIEW

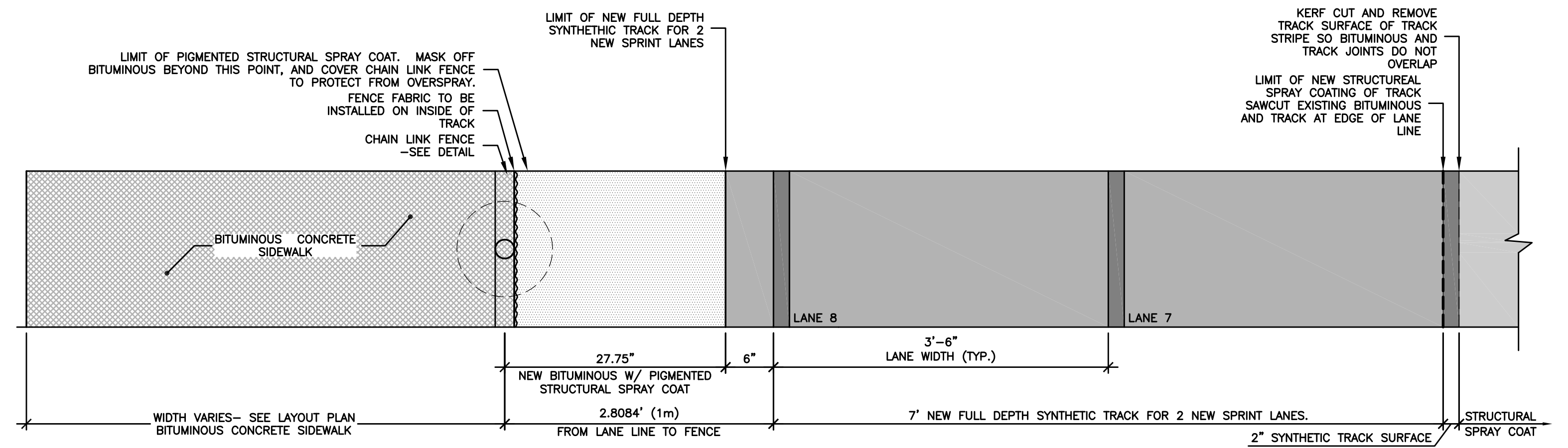
CONCRETE WALL AT TRACK EDGE
 NOT TO SCALE



- MINIMUM REQUIRED TRACK EVENT MARKINGS:**
- 100M START
 - ALL MARKINGS FOR 55M LOW HURDLES
 - ALL MARKINGS FOR 100M HIGH HURDLES
 - ALL MARKINGS FOR 110M HIGH HURDLES
 - 200M STAGGERED STARTS
 - 300M HURDLES STAGGERED STARTS
 - ALL MARKINGS FOR 300M HURDLES
 - 400M STAGGERED STARTS
 - 800M STAGGERED STARTS
 - 800M WATERFALL START (OUTSIDE LANES TO BREAK POINT)
 - 1600M START
 - 3000M START
 - 3200M START
 - 5000M START
 - 4X100 FLY & EXCHANGE ZONE START
 - 4X400 FLY & EXCHANGE ZONE START
 - 4X800 FLY & EXCHANGE ZONE START
 - COMMON FINISH LINE

NON-EQUAL QUADRANT (114.5' RADIUS) TRACK LAYOUT DETAIL
 SCALE: 1" = 40'

NOTES:
 1. THE TRACK IS A 400 METER (400M) NON-EQUAL QUADRANT TRACK.
 2. ALL TRACK EVENT MARKINGS SHOWN ON THIS LAYOUT ARE FOR GRAPHIC REPRESENTATION OF REQUIRED EVENTS ONLY AND SHOULD NOT BE SCALED.
 3. A SHOP DRAWING SHALL BE FURNISHED BY THE CONTRACTOR PRIOR TO THE INSTALLATION OF THE TRACK WITH COMPUTER GENERATED TRACK EVENT MARKINGS TO BE APPROVED BY THE HIGH SCHOOL ATHLETICS DEPARTMENT AND TRACK COACHES.
 4. COORDINATE WITH HIGH SCHOOL ATHLETIC DEPARTMENT FOR COLORS OF ALL LANE MARKINGS.
 5. "MEASURE LINE" SHOWN ON PLAN IS NOT A PAINTED LINE.



PLAN VIEW - FULL DEPTH SYNTHETIC TRACK FOR 2 NEW SPRINT LANES
 SCALE: N.T.S.

MILONE & MACBROOM
 99 Realty Drive
 Cheshire, Connecticut 06410
 (203) 271-1773 Fax (203) 272-9733
 www.miloneandmacbroom.com

DATE	DESCRIPTION	BY

BID DOCUMENTS

SITE DETAILS
 MASUK HIGH SCHOOL
 TRACK & FIELD IMPROVEMENTS
 1014 MONROE TURNPIKE
 MONROE, CONNECTICUT

DJK	HAR	DJK
DESIGNED	DRAWN	CHECKED

SCALE: AS NOTED

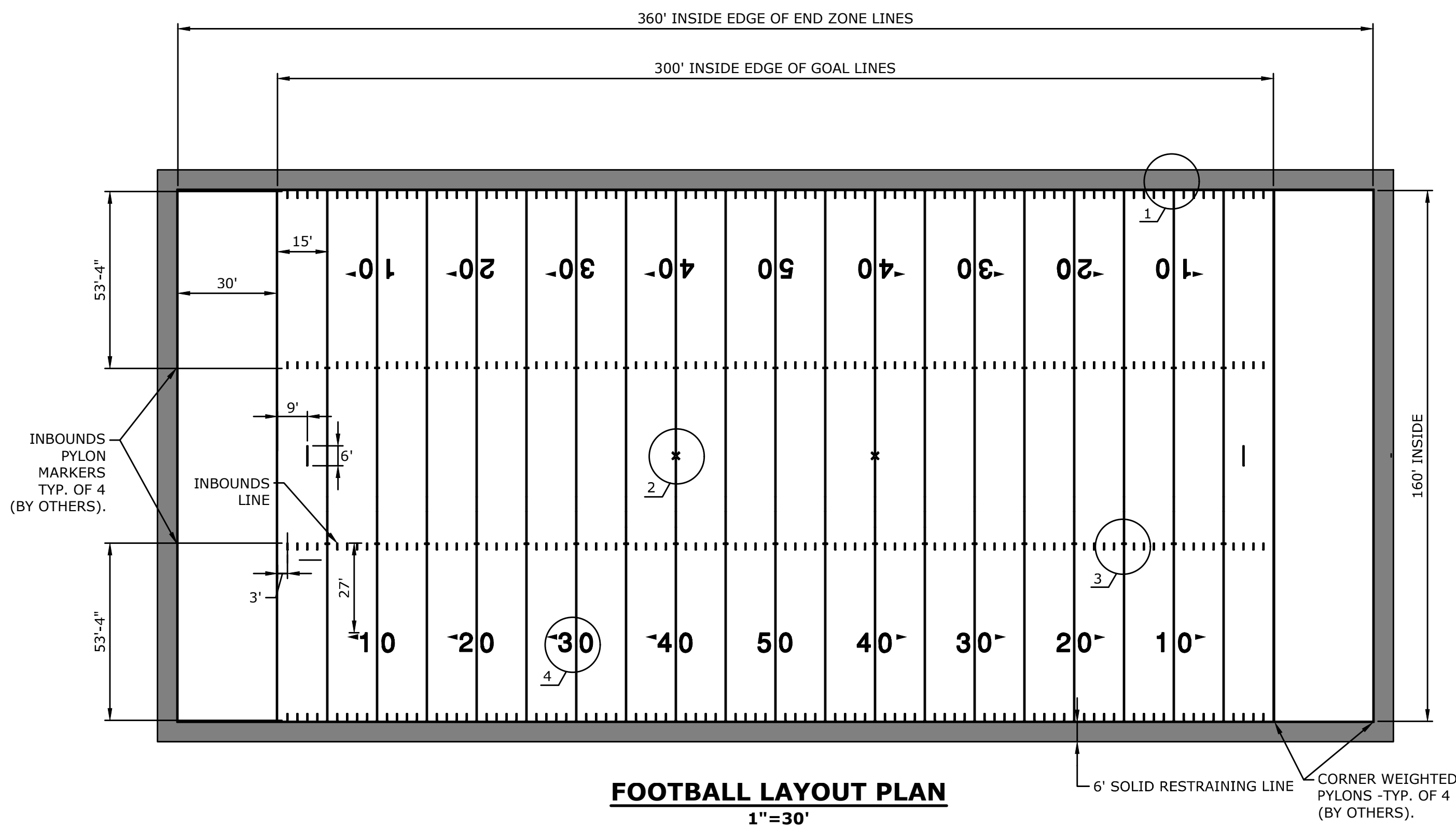
DATE: APRIL 25, 2016

PROJECT NO.: 5660-02

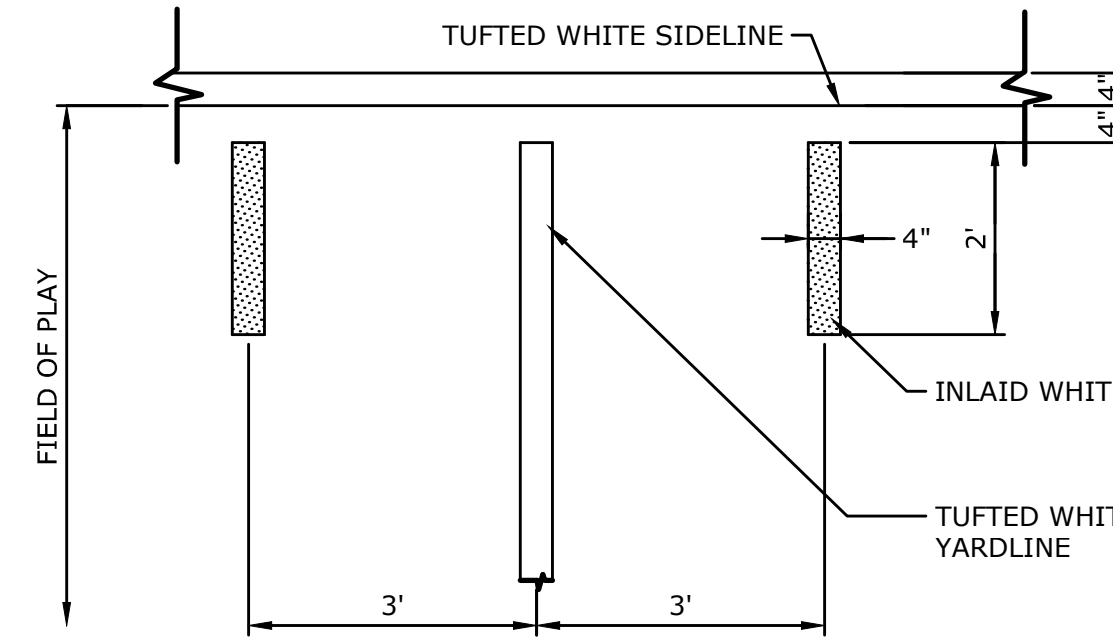
SHEET NO.: SD-5

Copyright Milone & MacBroom, Inc. - 2015

MILENE & MACBROOM, INC. 99 REEDY DRIVE, CHELSEA, CONNECTICUT 06410
 TEL: (203) 271-1773 FAX: (203) 272-9733 WWW.MILENEANDMACBROOM.COM



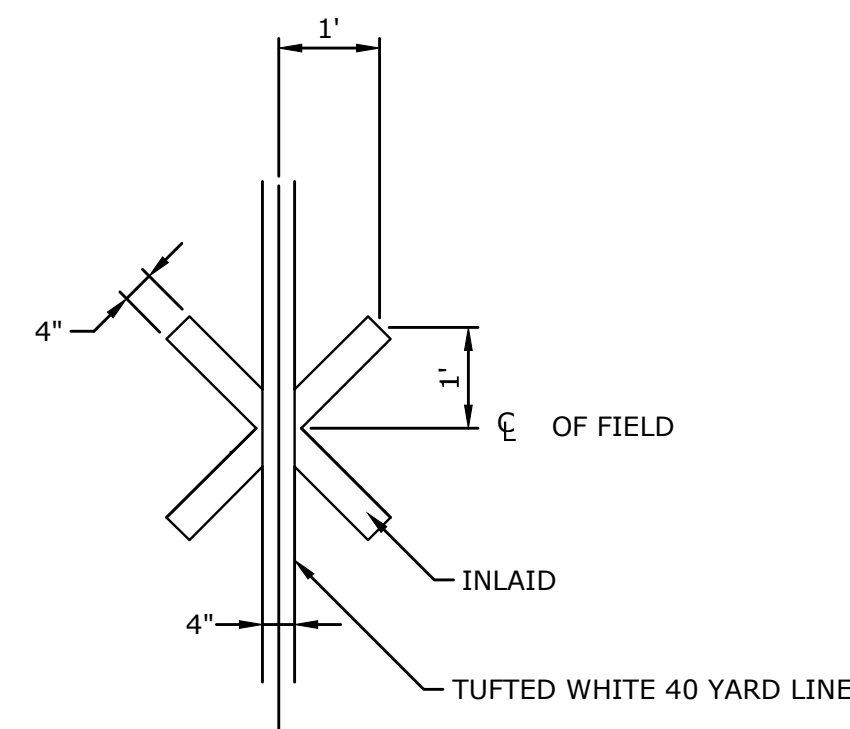
FOOTBALL LAYOUT PLAN
1"=30'



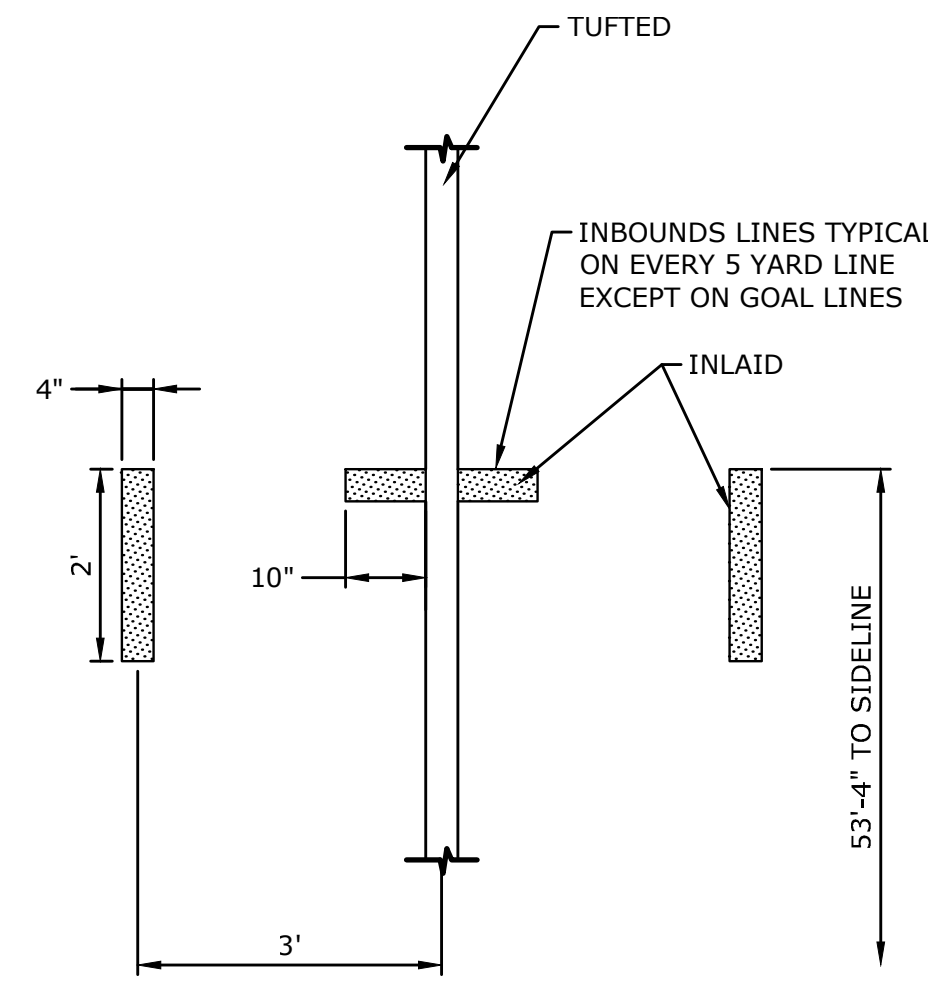
SIDELINE - DETAIL 1
1/2"=1'

FOOTBALL FIELD LAYOUT NOTES

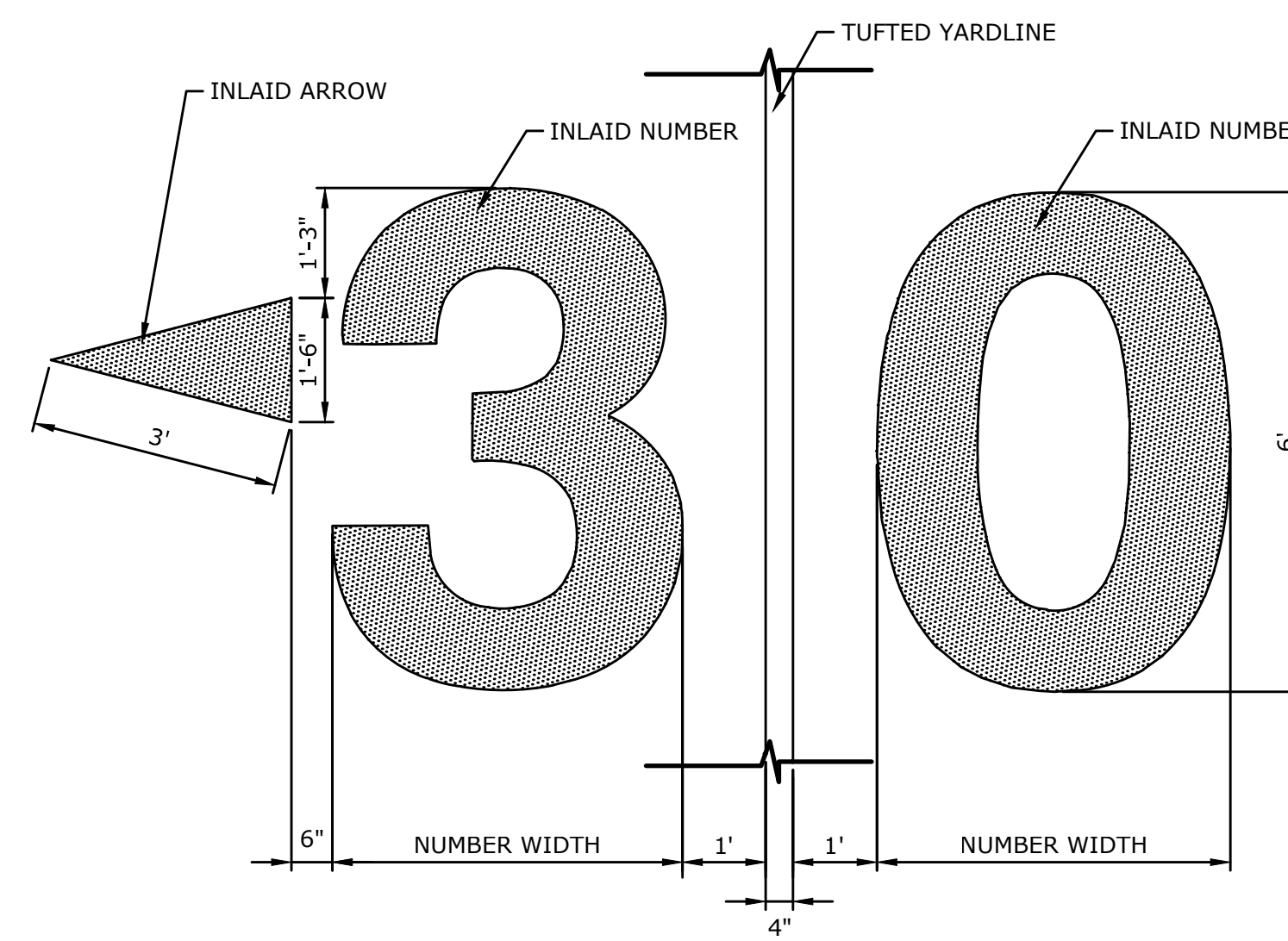
1. CONTRACTOR SHALL VERIFY ALL DIMENSIONS.
2. ALL LINE WORK IS TO BE LAID OUT WITH A TOLERANCE OF 1/4 INCH.
3. ALL YARD LINES SHALL BE 4 INCH, WHITE, TUFTED LINES. REFER TO DETAIL 1.
4. A 6 FOOT WHITE, TUFTED LINE WILL SURROUND THE ENTIRE PLAYING FIELD. REFER TO DETAIL 1.
5. 24 INCH SHORT YARD LINE EXTENSIONS, 4 INCHES FROM THE SIDELINES SHALL BE 4 INCHES WIDE, WHITE, INLAID LINES. REFER TO DETAIL 1.
6. THE TWO INBOUNDS LINES ARE 53 FEET 4 INCHES FROM THE SIDELINES. INBOUNDS LINES AND SHORT YARD LINE EXTENSIONS SHALL BE 24 INCHES LONG AND 4 INCHES WIDE, INLAID WHITE LINES. REFER TO DETAIL 3.
7. THE EXTRA POINT LINES ARE 6 FEET LONG, 4 INCHES WIDE, WHITE INLAID LINES AT THE CENTERLINE OF THE FIELD AND THE 3 YARD LINE ON EACH END OF THE FIELD. REFER TO PLAN FOR LOCATION.
8. WHITE YARD LINE NUMBERS MEASURING 6 FEET IN HEIGHT AND 4 FEET IN WIDTH WITH THE TOP OF THE NUMBERS 27 FEET FROM THE INBOUND LINES ARE INLAID. REFER TO DETAIL 4.
9. DIRECTIONAL ARROWS POINT TOWARD RESPECTIVE END ZONES AND ARE WHITE, PAINTED AS DIMENSIONED ON DETAIL 4. THERE ARE NO ARROWS ON THE 50 YARD LINE.
10. AN X WILL MARK THE SPOT OF THE KICKOFF AT THE 40 YARD LINE ON EACH END OF THE FIELD AND SHALL BE DIMENSIONED AS PER DETAIL 2. THE 40 YARD LINE IS WHITE INLAID AND THE EXTENSIONS TO FORM THE X ARE INLAID WHITE.
11. PYLON LOCATIONS AT THE INTERSECTIONS OF THE GOAL LINES AND THE END LINES WITH THE SIDELINES, AND THE END LINES AND THE EXTENSION OF THE INBOUNDS LINE SHALL BE 4 INCHES BY 4 INCHES. THE PYLONS WILL BE FREE-STANDING, WEIGHTED TYPE.



KICK-OFF MARKER - DETAIL 2
1"=1'



INBOUND LINE - DETAIL 3
1/2"=1'

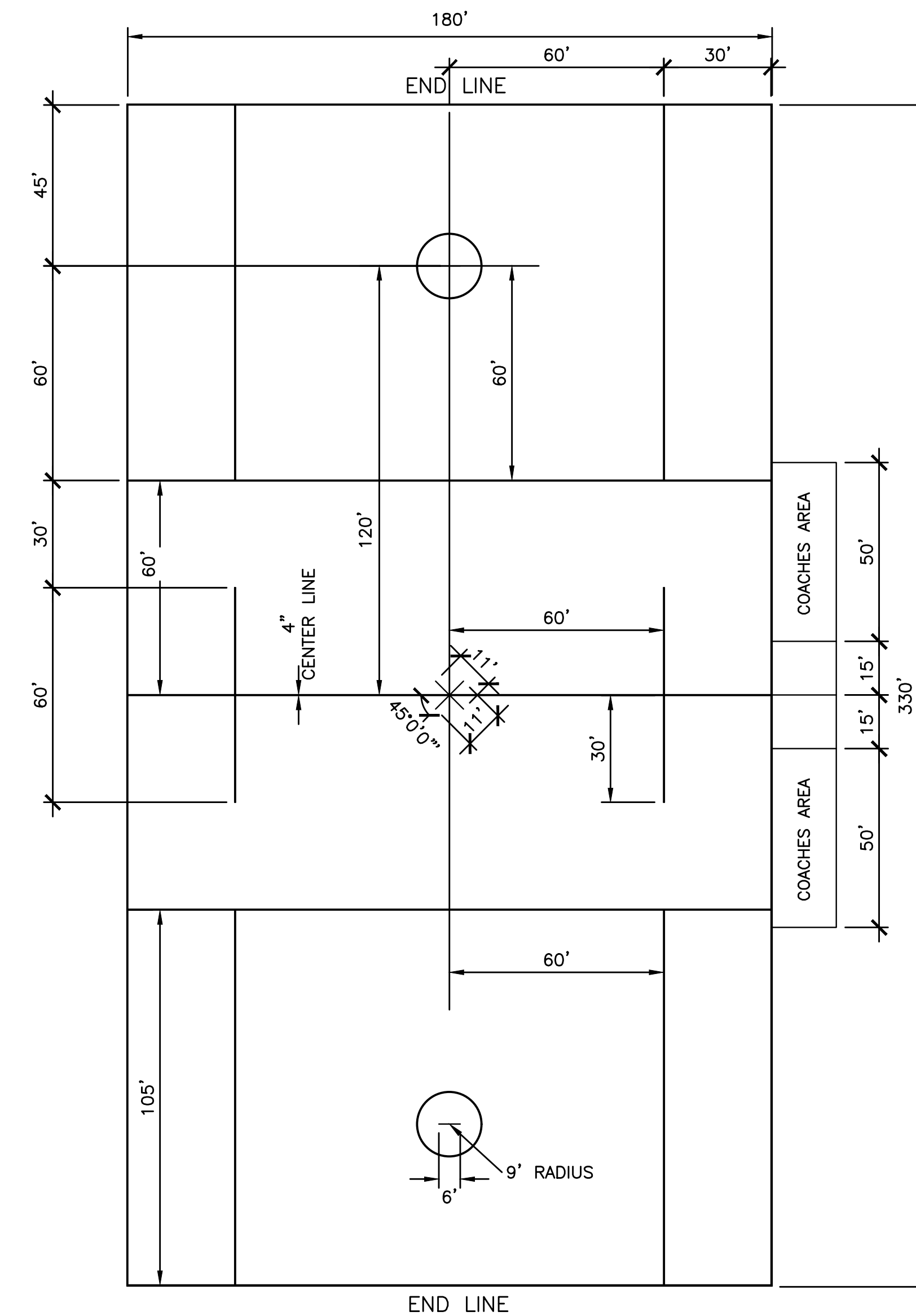


YARD LINE NUMBERS - DETAIL 4
1/2"=1'

GENERAL FIELD STRIPING NOTES:

1. CONTRACTOR TO SUBMIT SCALED SHOP DRAWINGS FOR ALL FIELD STRIPING OPTIONS SHOWING DIMENSIONS, COLORS, TUFTED AND INLAID MARKINGS.
2. ALL FIELD STRIPING AND ASSOCIATED AREAS SHALL CONFORM TO CURRENT NFHS STANDARDS AND REQUIREMENTS.

FOOTBALL: ALL INLAID AND TUFTED LINES AND MARKINGS, COLOR: WHITE
 SOCCER: ALL INLAID AND TUFTED LINES, COLOR: YELLOW
 FIELD HOCKEY: ALL INLAID AND TUFTED LINES, COLOR: RED
 BOYS LACROSSE: ALL INLAID AND TUFTED LINES, COLOR: BLUE
 GIRLS LACROSSE: ALL INLAID AND TUFTED LINES, COLOR: BLACK



BOYS LACROSSE LAYOUT PLAN
1"=30'

DESCRIPTION	DATE	BY

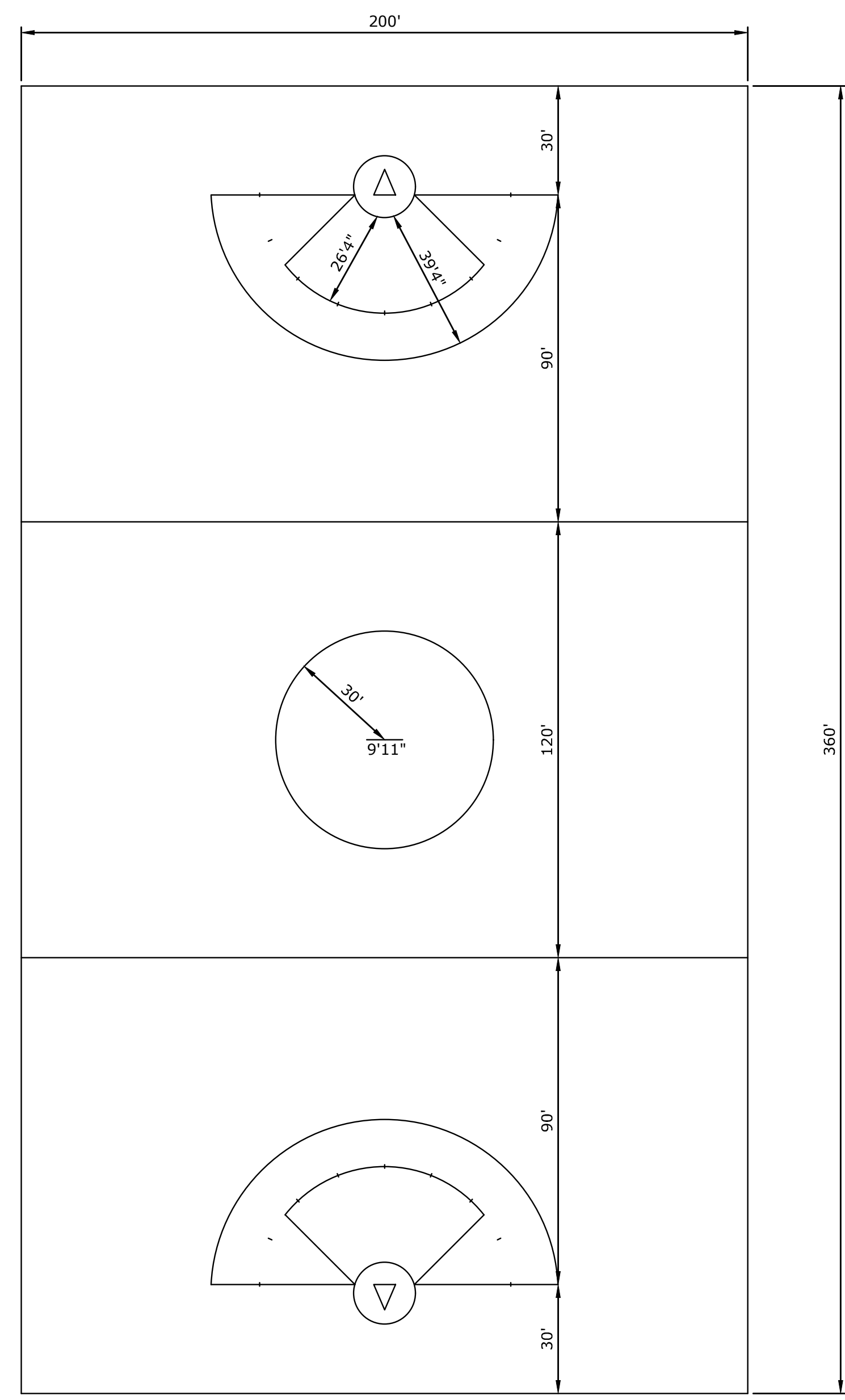
BID DOCUMENTS

SITE DETAILS
 MASUK HIGH SCHOOL
 TRACK & FIELD IMPROVEMENTS
 1014 MONROE TURNPIKE
 MONROE, CONNECTICUT

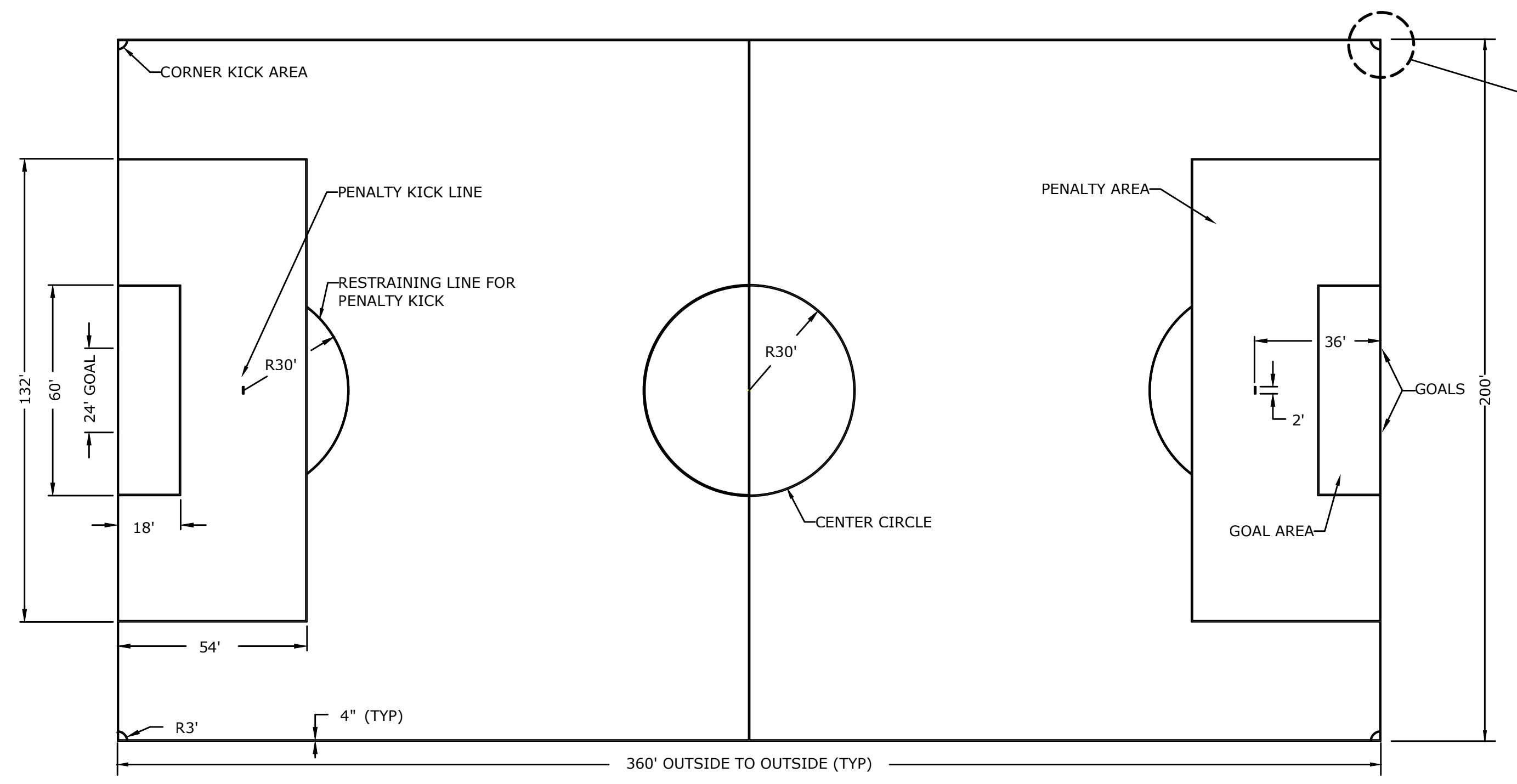
KCF DESIGNED	HAR DRAWN	DJK CHECKED
SCALE AS NOTED		
DATE APRIL 25, 2016		
PROJECT NO. 5660-02		
SHEET NO.		

SD-6

MILONE & MACBROOM ARCHITECTS, INC. 99 REEDY DRIVE, CHESHIRE, CONNECTICUT 06410 (203) 271-1773 FAX (203) 272-9733 WWW.MILONEANDMACBROOM.COM



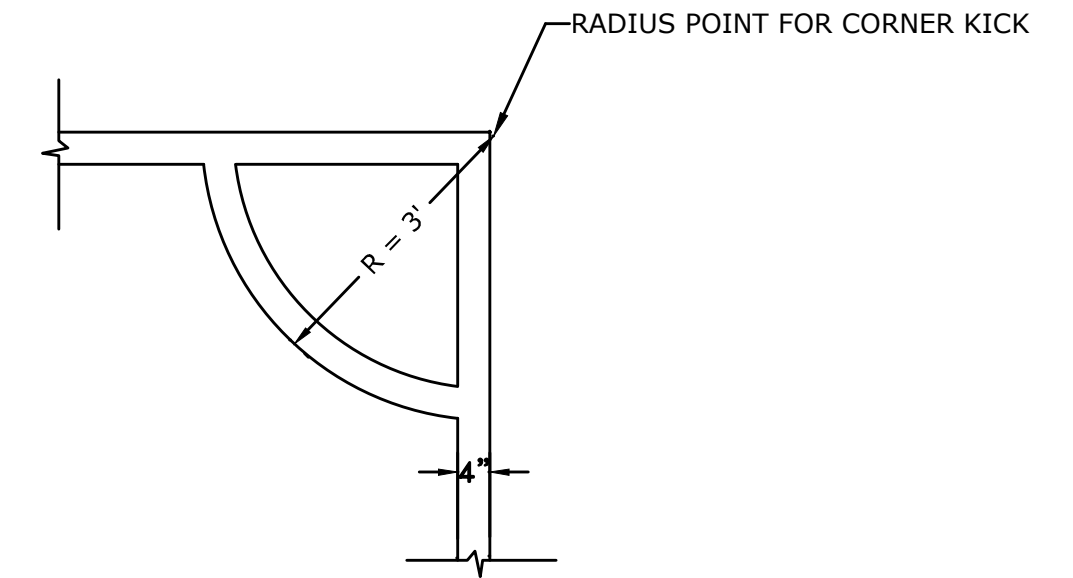
GIRLS LACROSSE LAYOUT PLAN
NOT TO SCALE



SOCCER LAYOUT PLAN
1"=30'

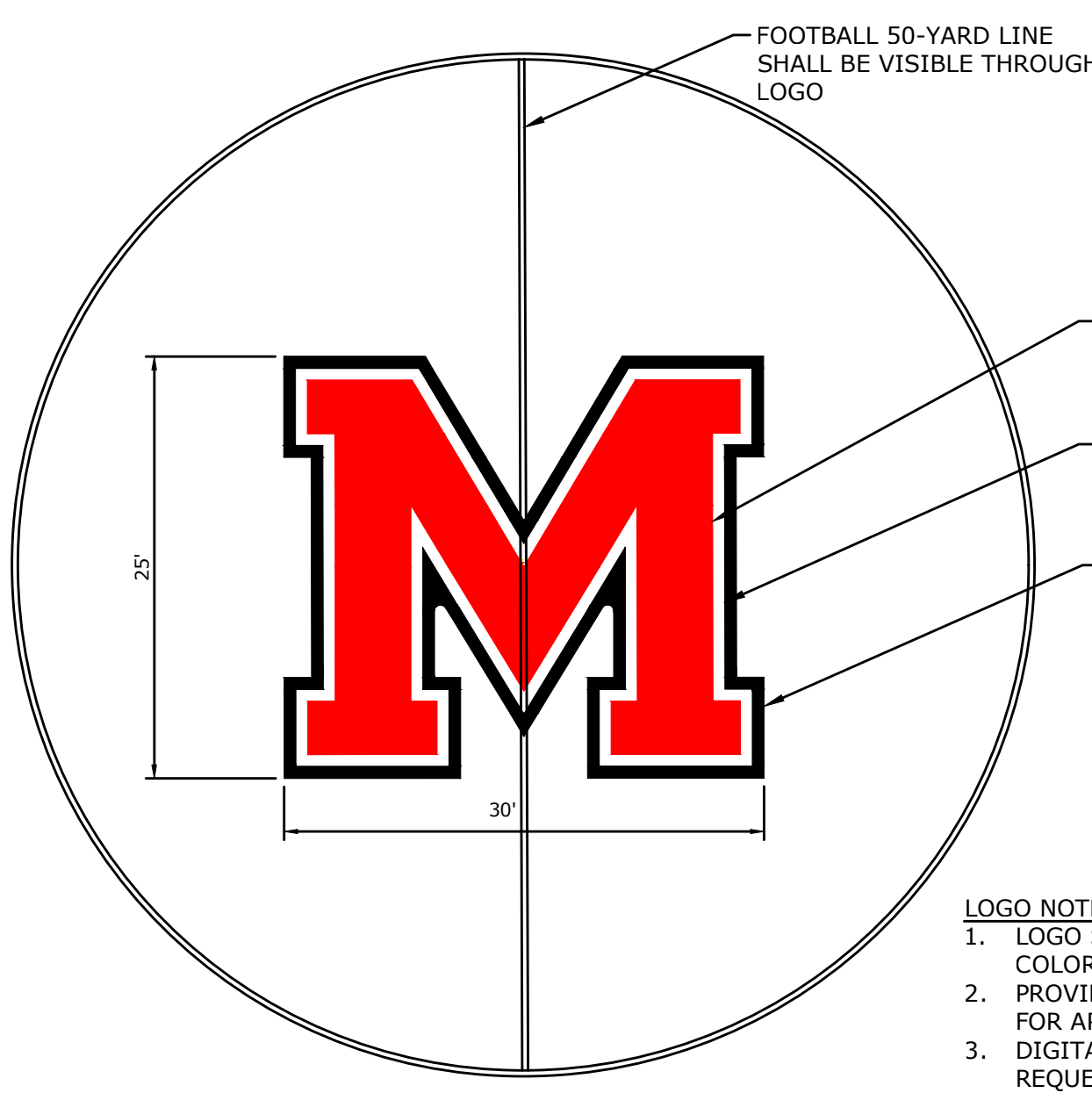
NOTES:
1. ALL LINES PAINTED 4" COLOR T.B.D. BY OWNER.

SOCCER CORNER KICK DETAIL
1/2"=1'



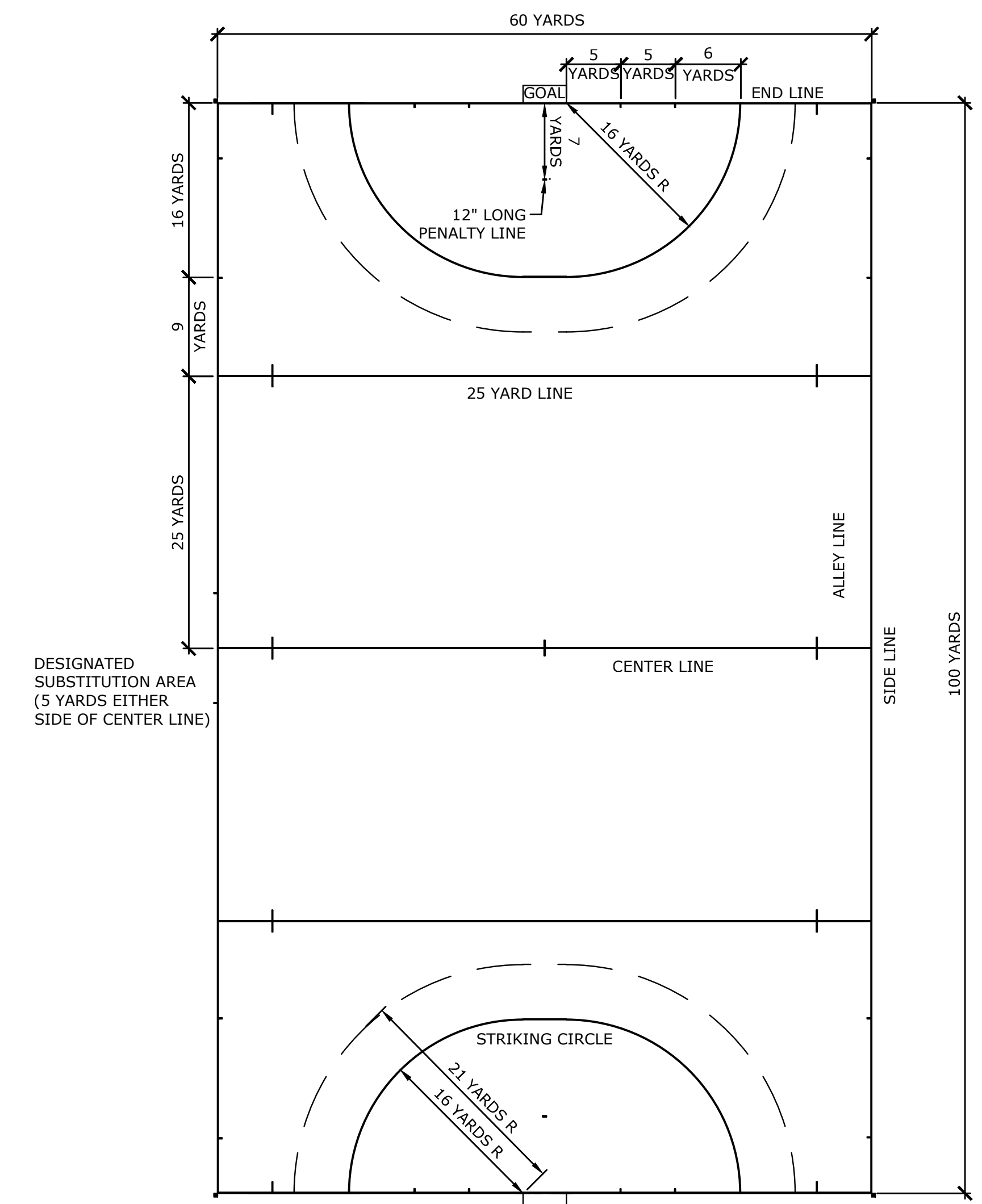
SOCCER LAYOUT NOTES

1. CONTRACTOR SHALL VERIFY ALL DIMENSIONS.
2. THE FIELD STRIPING IS TO BE 200' X 360'.
3. ALL LINE WORK IS TO BE LAID OUT WITH A TOLERANCE OF 1/4 INCH.
4. ALL SOCCER LINES ARE 4 INCH TUFTED OR INLAID COLOR: WHITE AS DIMENSIONED ON THE SOCCER LAYOUT PLAN.
5. THE SOCCER GOAL AREA IS 18 FEET BY 60 FEET, REFER TO PLAN FOR LOCATION.
6. THE SOCCER PENALTY AREA IS 54 FEET BY 132 FEET, REFER TO PLAN FOR LOCATION.
7. THE PENALTY MARK IS A 2 FOOT LINE, 4 INCHES WIDE, 36 FEET FROM THE GOAL LINE AND CENTERED ON THE GOAL. THE RESTRAINING LINE FOR PENALTY KICKS IS AN ARC 30 FEET FROM THIS MARK OUTSIDE OF THE PENALTY AREA. REFER TO PLAN FOR LOCATION.
8. THE HALFWAY LINE FOR THE SOCCER FIELD IS A 4 INCH LINE WITH A CIRCLE 30 FEET IN RADIUS IN THE CENTER OF THE FIELD, REFER TO PLAN FOR LOCATION.
9. THE CORNERS OF THE SOCCER FIELD SHALL HAVE A 3 FOOT RADIUS IN THE DESIGNATING THE CORNER KICK AREA. REFER TO CORNER KICK DETAIL.



FIELD LOGO
N.T.S.

- LOGO NOTES**
1. LOGO SHALL BE COMPRISED OF THREE COLORS, RED, WHITE & BLACK.
 2. PROVIDE COLOR SAMPLES TO SCHOOL FOR APPROVAL.
 3. DIGITAL FILE AVAILABLE UPON REQUEST.
 4. PROVIDE SHOP DRAWINGS FOR APPROVAL.



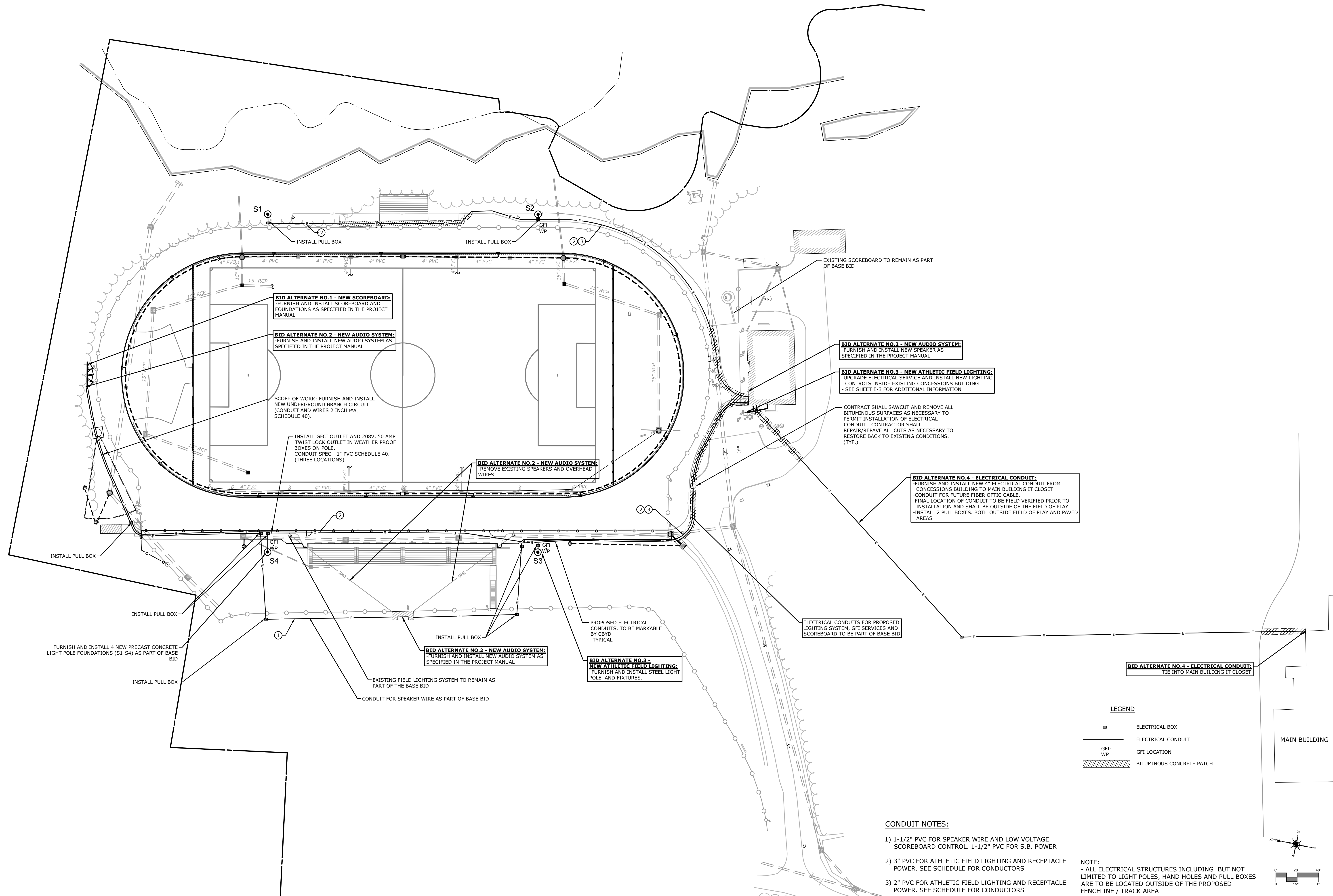
FIELD HOCKEY PLAN
1"=30'

DESCRIPTION	DATE	BY

SITE DETAILS
MASUK HIGH SCHOOL
TRACK & FIELD IMPROVEMENTS
1014 MONROE TURNPIKE
MONROE, CONNECTICUT

KCF DESIGNED	HAR DRAWN	DJK CHECKED
N.T.S.		
DATE APRIL 25, 2016		
PROJECT NO. 5660-02		
SHEET NO.		

SD-7



BID ALTERNATE NO. 1 - NEW SCOREBOARD:
 -FURNISH AND INSTALL SCOREBOARD AND FOUNDATIONS AS SPECIFIED IN THE PROJECT MANUAL

BID ALTERNATE NO. 2 - NEW AUDIO SYSTEM:
 -FURNISH AND INSTALL NEW AUDIO SYSTEM AS SPECIFIED IN THE PROJECT MANUAL

SCOPE OF WORK: FURNISH AND INSTALL NEW UNDERGROUND BRANCH CIRCUIT (CONDUIT AND WIRES 2 INCH PVC SCHEDULE 40).

INSTALL GFCI OUTLET AND 208V, 50 AMP TWIST LOCK OUTLET IN WEATHER PROOF BOXES ON POLE. CONDUIT SPEC - 1" PVC SCHEDULE 40. (THREE LOCATIONS)

BID ALTERNATE NO. 2 - NEW AUDIO SYSTEM:
 -REMOVE EXISTING SPEAKERS AND OVERHEAD WIRES

BID ALTERNATE NO. 2 - NEW AUDIO SYSTEM:
 -FURNISH AND INSTALL NEW SPEAKER AS SPECIFIED IN THE PROJECT MANUAL

BID ALTERNATE NO. 3 - NEW ATHLETIC FIELD LIGHTING:
 -UPGRADE ELECTRICAL SERVICE AND INSTALL NEW LIGHTING CONTROLS INSIDE EXISTING CONCESSIONS BUILDING - SEE SHEET E-3 FOR ADDITIONAL INFORMATION

CONTRACT SHALL SAWCUT AND REMOVE ALL BITUMINOUS SURFACES AS NECESSARY TO PERMIT INSTALLATION OF ELECTRICAL CONDUIT. CONTRACTOR SHALL REPAIR/REPAVE ALL CUTS AS NECESSARY TO RESTORE BACK TO EXISTING CONDITIONS. (TYP.)

BID ALTERNATE NO. 4 - ELECTRICAL CONDUIT:
 -FURNISH AND INSTALL NEW 4" ELECTRICAL CONDUIT FROM CONCESSIONS BUILDING TO MAIN BUILDING IT CLOSET
 -CONDUIT FOR FUTURE FIBER OPTIC CABLE
 -FINAL LOCATION OF CONDUIT TO BE FIELD VERIFIED PRIOR TO INSTALLATION AND SHALL BE OUTSIDE OF THE FIELD OF PLAY
 -INSTALL 2 PULL BOXES, BOTH OUTSIDE FIELD OF PLAY AND PAVED AREAS

ELECTRICAL CONDUITS FOR PROPOSED LIGHTING SYSTEM, GFI SERVICES AND SCOREBOARD TO BE PART OF BASE BID

BID ALTERNATE NO. 4 - ELECTRICAL CONDUIT:
 -TIE INTO MAIN BUILDING IT CLOSET

BID ALTERNATE NO. 2 - NEW AUDIO SYSTEM:
 -FURNISH AND INSTALL NEW AUDIO SYSTEM AS SPECIFIED IN THE PROJECT MANUAL

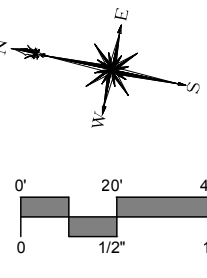
BID ALTERNATE NO. 3 - NEW ATHLETIC FIELD LIGHTING:
 -FURNISH AND INSTALL STEEL LIGHT POLE AND FIXTURES.

LEGEND

	ELECTRICAL BOX
	ELECTRICAL CONDUIT
	GFI LOCATION
	BITUMINOUS CONCRETE PATCH

- CONDUIT NOTES:**
- 1) 1-1/2" PVC FOR SPEAKER WIRE AND LOW VOLTAGE SCOREBOARD CONTROL, 1-1/2" PVC FOR S.B. POWER
 - 2) 3" PVC FOR ATHLETIC FIELD LIGHTING AND RECEPTACLE POWER. SEE SCHEDULE FOR CONDUCTORS
 - 3) 2" PVC FOR ATHLETIC FIELD LIGHTING AND RECEPTACLE POWER. SEE SCHEDULE FOR CONDUCTORS

NOTE:
 - ALL ELECTRICAL STRUCTURES INCLUDING BUT NOT LIMITED TO LIGHT POLES, HAND HOLES AND PULL BOXES ARE TO BE LOCATED OUTSIDE OF THE PROPOSED FENCELINE / TRACK AREA



SITE ELECTRICAL PLAN

MASUK HIGH SCHOOL TRACK & FIELD IMPROVEMENTS
 1014 MONROE TURNPIKE
 MONROE, CONNECTICUT

DESIGNED CEH	DRAWN HAR	CHECKED DJK
SCALE 1"=40'		
DATE APRIL 25, 2016		
PROJECT NO. 5660-02		
E-1		

SHEET NAME

BID DOCUMENTS

SILVER / PETRUCELLI + ASSOCIATES
 Architects / Engineers / Interior Designers
 3190 Whitney Avenue, Hamden, CT 06518-2340
 Tel. 203.239.9007 Fax. 203.239.8247
 silverpetrucci.com

MILONE & MACBROOM
 99 Realty Drive
 Cheshire, Connecticut 06410
 (203) 271-1773 Fax (203) 272-9733
 www.miloneandmacbroom.com

Copyright Milone & MacBroom, Inc. - 2016

DESIGNATION	DESCRIPTION	MANUFACTURER/ MODEL NUMBER	LAMP			ELECTRICAL			NOTES	
			TYPE	COLOR TEMP	NO	BALLAST	VOLTAGE	WATTS		
S1	MULTIPURPOSE FIELD LIGHTING STANDARD & POLE	REFER TO PERFORMANCE SPEC REQUIREMENTS	⑥	1500 WATT MH	3000K	13	HPF	480	1500W EACH	①
S2	MULTIPURPOSE FIELD LIGHTING STANDARD & POLE	REFER TO PERFORMANCE SPEC REQUIREMENTS	⑥	1500 WATT MH	3000K	13	HPF	480	1500W EACH	①
S3	MULTIPURPOSE FIELD LIGHTING STANDARD & POLE	REFER TO PERFORMANCE SPEC REQUIREMENTS	⑥	1500 WATT MH	3000K	13	HPF	480	1500W EACH	①
S4	MULTIPURPOSE FIELD LIGHTING STANDARD & POLE	REFER TO PERFORMANCE SPEC REQUIREMENTS	⑥	1500 WATT MH	3000K	13	HPF	480	1500W EACH	①
POLES S1,S2,S3,S4	MULTIPURPOSE FIELD LIGHTING POLE, 80' TALL	POLE TYPE - LSS100C, PRECAST BASE. OUTSIDE BASE DIAMETER 23.75"		BASE WEIGHT 10,600 LBS; BASE LENGTH 27' 10"; PROJECTION AFG 7' 10"						

NOTES:

- SPORTS FIELD LIGHTING EQUIPMENT SHALL BE PROVIDED IN ACCORDANCE WITH PERFORMANCE SPECIFICATIONS DEFINED IN PROJECT MANUAL. CONTRACTOR SHALL BE RESPONSIBLE FOR COORDINATION OF EXACT BRANCH CIRCUIT, CONTROL, ENCLOSURE AND FOUNDATION REQUIREMENTS BASED ON EQUIPMENT FURNISHED. BASE OF DESIGN FOR THIS PROJECT IS MUSCO LIGHTING. MANUFACTURERS THAT WISH TO BID AS AN ALTERNATE MUST PROVIDE LIGHTING CALCULATIONS, ENERGY SUMMARY WARRANTY THAT SHOWS THEIR DESIGN IS EQUAL TO OR GREATER THAN THE BASIS OF DESIGN. DESIGNS THAT ARE SOLELY DEEMED BY THE SR. LIGHTING DESIGNER TO BE LESS THAN EQUAL TO THE BASIS OF DESIGN WILL NOT BE EXCEPTED OR APPROVED FOR PURCHASE, THERE WILL BE NO EXCEPTIONS.
- FURNISH ALL LIGHT FIXTURES WITH REQUIRED LAMPS.
- FURNISH ALL ADDITIONAL MATERIALS AND ACCESSORIES REQUIRED FOR COMPLETE INSTALLATION TO BE FULLY OPERATIONAL.
- PROVIDE ALL ASSEMBLY REQUIRED.
- ALL EXTERIOR FIXTURES IN UNHEATED SPACES SHALL BE CAPABLE OF OPERATING IN COLD TEMP (0° F).
- PERFORMANCE SPECIFICATIONS - MULTIPURPOSE FIELD (52 FIXTURES / 81.33 kWATTS):
MEASURED 3' AFG: 51.7 FOOT CANDLES.
GUARANTEED MAX / MIN: 2.00/1.00.
NUMBER OF PINT BY POINTS: 70.

ADD ALTERNATE NO. 3

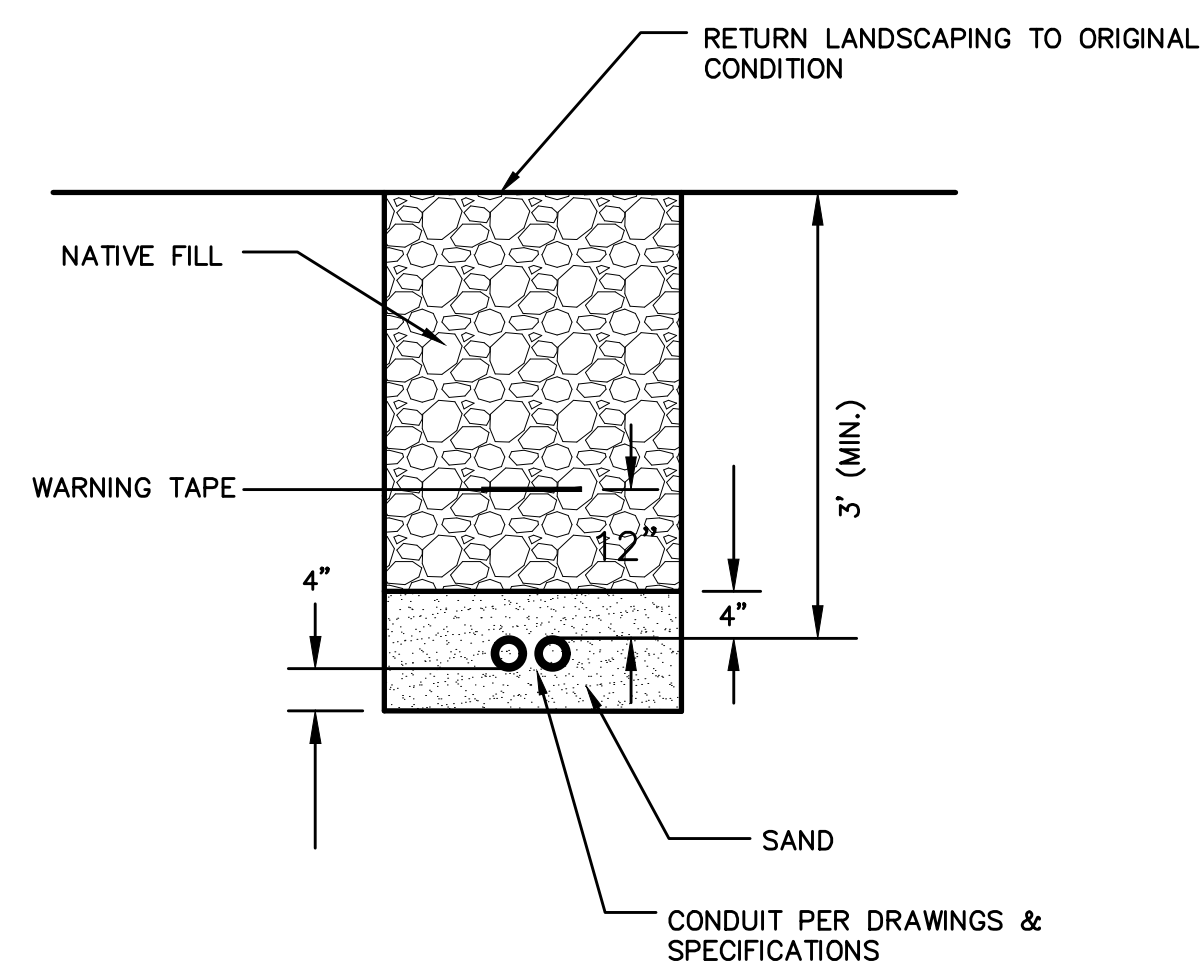
NOTE: LIGHT POLE BASES
TO BE INSTALLED AS
PART OF BASE BID

GENERAL DEMOLITION NOTES

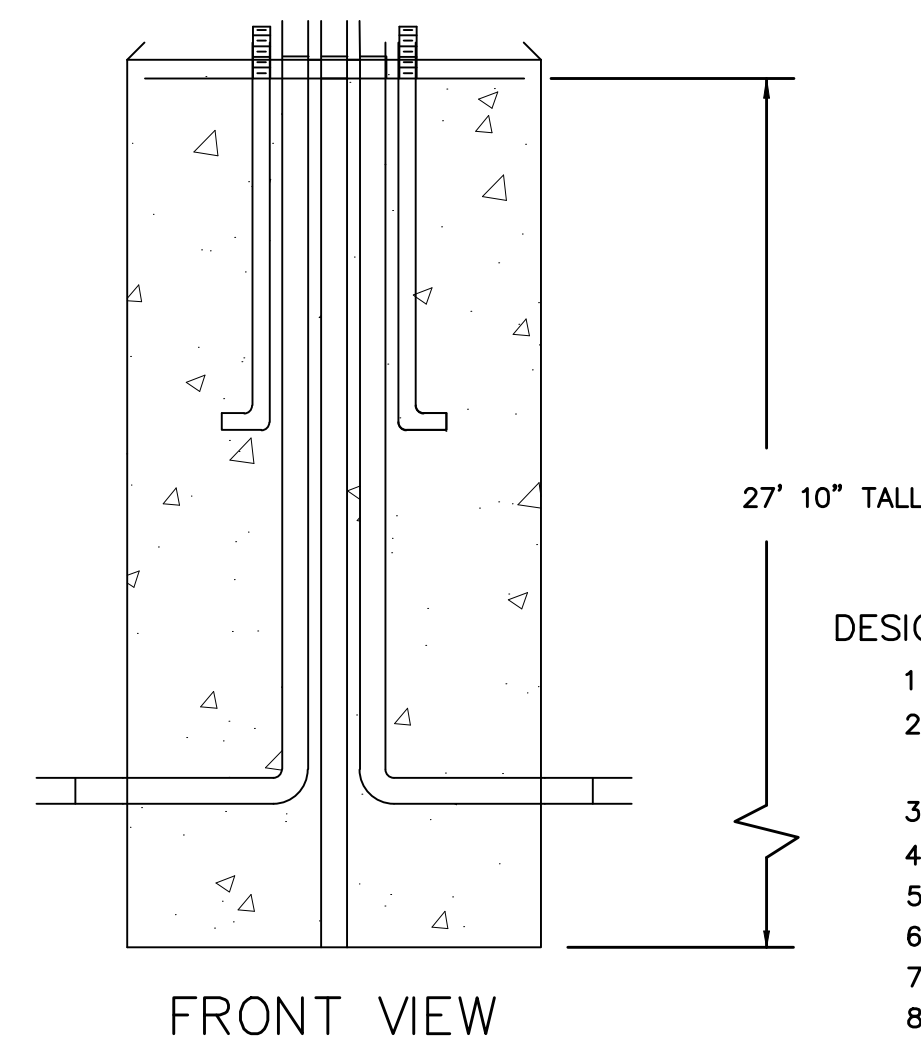
- ELECTRICAL DEMOLITION TO BE SUPERVISED BY LICENSED ELECTRICAL CONTRACTOR. EACH CIRCUIT SHALL BE VERIFIED "COLD" & DISCONNECTED FROM ELECTRICAL SERVICE PRIOR TO COMMENCING REMOVAL.
- REMOVE EXISTING ELECTRICAL EQUIPMENT & MATERIALS AS REQUIRED TO ACCOMMODATE WORK AS SPECIFICALLY NOTED ON THE DRAWINGS.
- ALL MATERIALS BEING REMOVED SHALL BE HANDLED IN A MANNER COMPLYING WITH ALL PERTINENT LAWS, CODES AND ENVIRONMENTAL REGULATIONS.
- WHERE ELECTRICAL EQUIPMENT & DEVICES ARE BEING REMOVED, COORDINATE AND FIELD VERIFY IF BRANCH CIRCUIT FEEDS THROUGH TO EQUIPMENT/DEVICES TO REMAIN. BRANCH CIRCUITS SHALL BE SPLICED OR RELOCATED TO MAINTAIN CONTINUATION OF SERVICES.
- WHERE EXISTING DEVICES ARE REMOVED & NO NEW DEVICES ARE INSTALLED IN THE SAME LOCATION, REMOVE ALL WIRING FROM BOX & PROVIDE PROPERLY SIZED BLANK COVER PLATE.
- ALL REMOVED COMPONENTS SHALL BE LEGALLY DISPOSED OF BY CONTRACTOR UNLESS SPECIFICALLY NOTED OTHERWISE.

GENERAL ELECTRICAL NOTES

- SPECIFICATION SECTIONS, GENERAL CONDITIONS, SUPPLEMENTAL GENERAL CONDITIONS AND DRAWINGS ARE INTEGRAL PARTS OF CONTRACT DOCUMENTS.
- SYSTEM COMPONENTS ARE LOCATED APPROXIMATELY ON DRAWINGS. BASE ACTUAL LOCATIONS ON FIELD VERIFICATION OF EXISTING BUILDING CHARACTERISTICS INCLUDING BUT NOT LIMITED TO STRUCTURAL, & ELECTRICAL COMPONENTS.
- ALL WORK AND ACTION DEPICTED AND DESCRIBED IN CONTRACT DOCUMENTS SHALL BE PERFORMED BY THE CONTRACTOR UNLESS SPECIFICALLY NOTED OTHERWISE.
- REFERENCE TO SPECIFIC SUB-CONTRACTORS SUCH AS "ELECTRICAL", ETC. ARE INTENDED TO SUGGEST POSSIBLE DIVISION OF RESPONSIBILITY. PRIME CONTRACTOR SHALL BE RESPONSIBLE FOR COORDINATION AND EXECUTION OF ALL WORK.
- OBTAIN AND PAY FOR ALL REQUIRED PERMITS AND INSPECTIONS.
- ALL EQUIPMENT, MATERIALS AND RELATED SYSTEM COMPONENTS SHALL BE NEW UNLESS NOTED OTHERWISE.
- REPAIR AND REPLACE AT NO COST TO OWNER ALL EQUIPMENT AND MATERIALS DAMAGED DURING CONSTRUCTION.
- CIRCUITING DEPICTED LIGHTING FIXTURES DEFINES GROUPING OF FIXTURES, DEVICES AND COMPONENTS AND REQUIRED CONDUCTORS. CIRCUITING IS NOT INTENDED TO DEFINE CONDUIT LOCATIONS.
- STUDY THE PROJECT MANUAL & DRAWINGS OF OTHER DISCIPLINES INCLUDING ARCHITECTURAL, STRUCTURAL, CIVIL & MECHANICAL.
- ALL PENETRATIONS THRU RATED WALLS SHALL BE SEALED USING U.L. LISTED METHODS APPROPRIATE FOR INDICATED RATING.
- INSTALLATIONS ON EXISTING MASONRY WALLS SHALL BE RUN WITH SURFACE RACEWAY PAINTED TO MATCH WALL FINISH AND SURFACE BOXES.



TYPICAL TRENCHING AND BACKFILLING DETAIL
SCALE: NONE

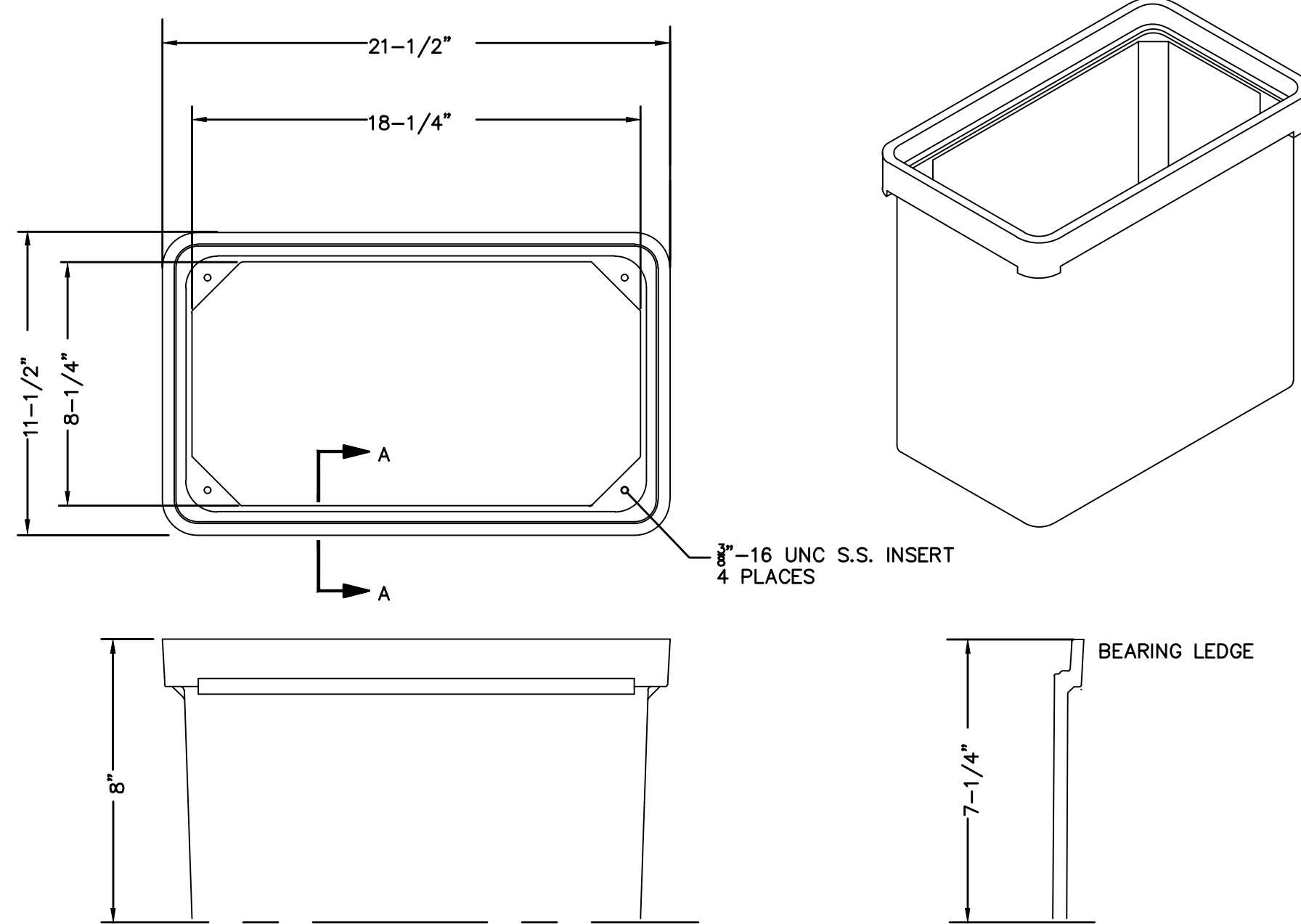


80' POLE FOUNDATION DETAIL
SCALE: NONE

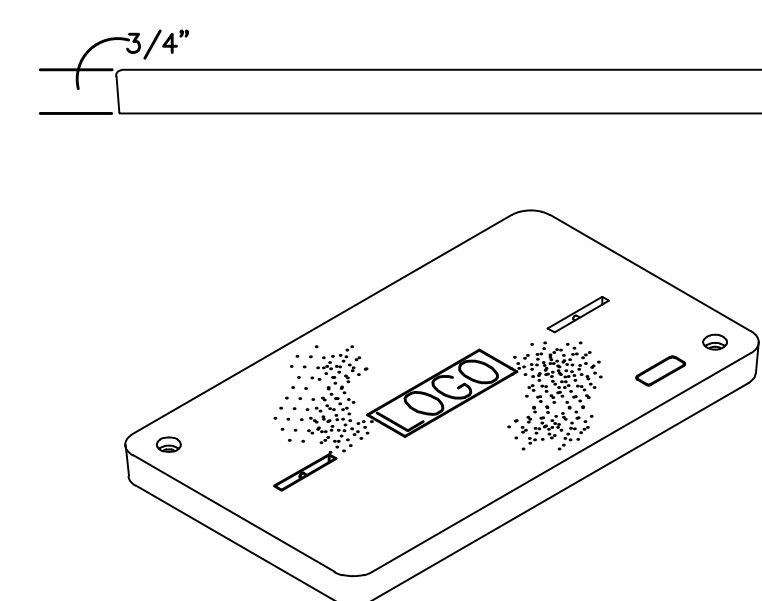
DESIGN NOTES:

- CONCRETE 4000 PSI AT 28 DAYS.
- BASIS OF DESIGN: MUSCO LIGHTING PRECAST WITH REINFORCING AS SPECIFIED BY OEM.
- ANCHOR BOLTS AND GROUNDING AS SPECIFIED BY OEM.
- BALLAST POURED AROUND BASE IF REQUIRED.
- BOLT PROJECTION AS SPECIFIED BY POLE MANUFACTURER.
- 3/4" X 10' UL LISTED COPPER BONDED GROUND ROD.
- SEE PLAN FOR CONDUIT SIZES.
- EC TO COORDINATE CONDUIT ENTRANCE INTO THE FOUNDATION(S) PER SITE CONDITIONS/REQUIREMENTS.

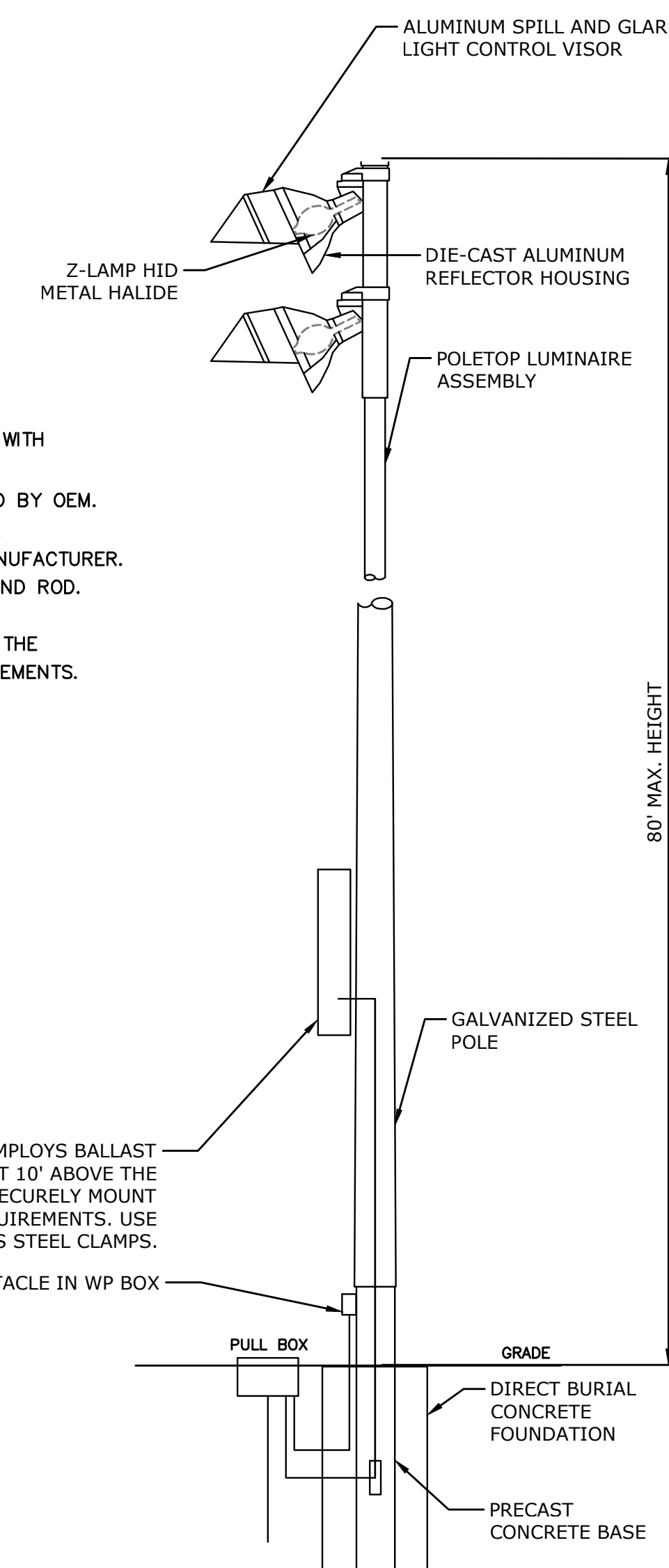
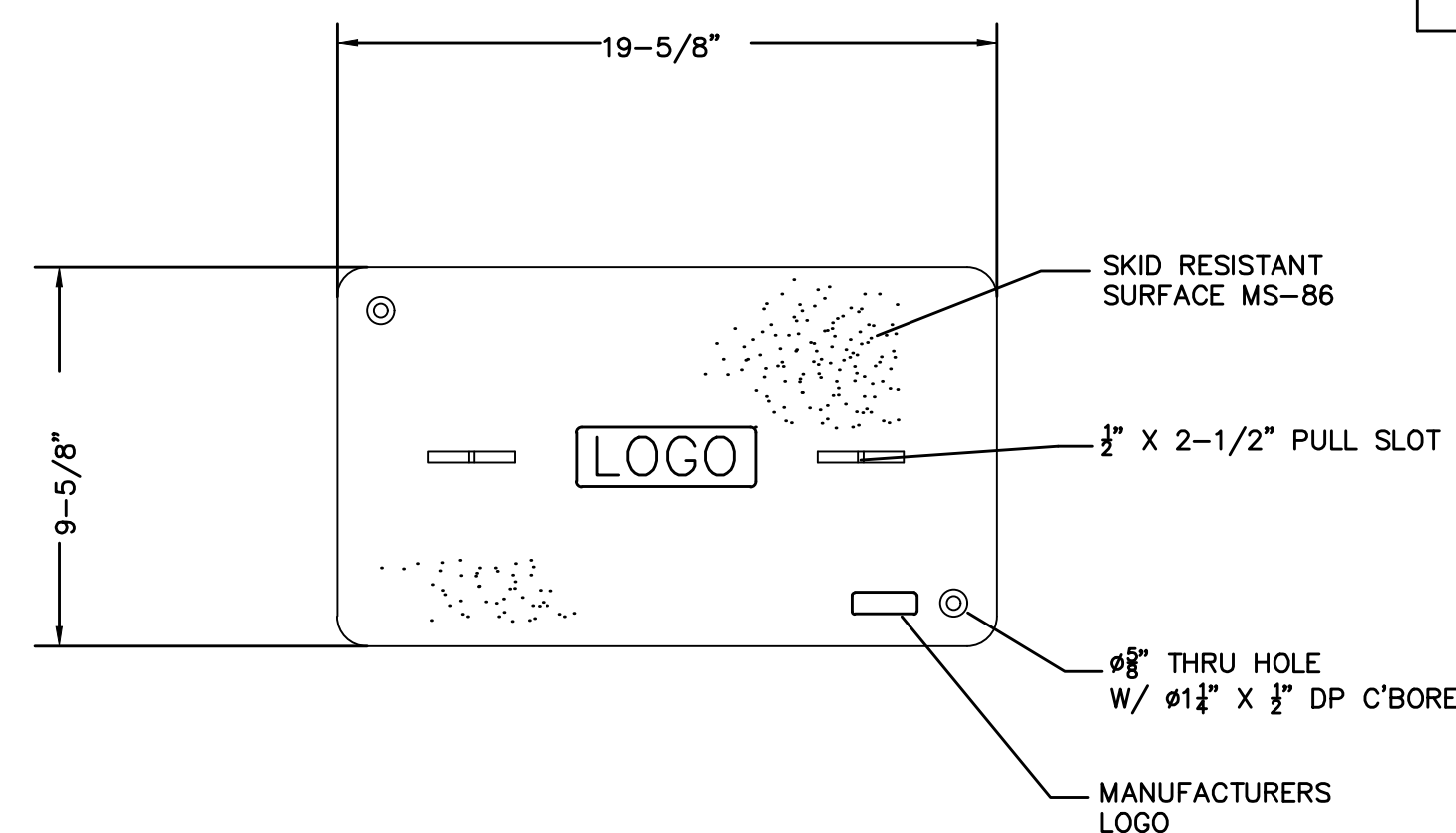
HEIGHT	WEIGHT
27' 10" TALL	~10,600 LBS



IN-GROUND PULL BOX DETAIL
SCALE: NONE



PULL BOX COVER DETAIL
SCALE: NONE



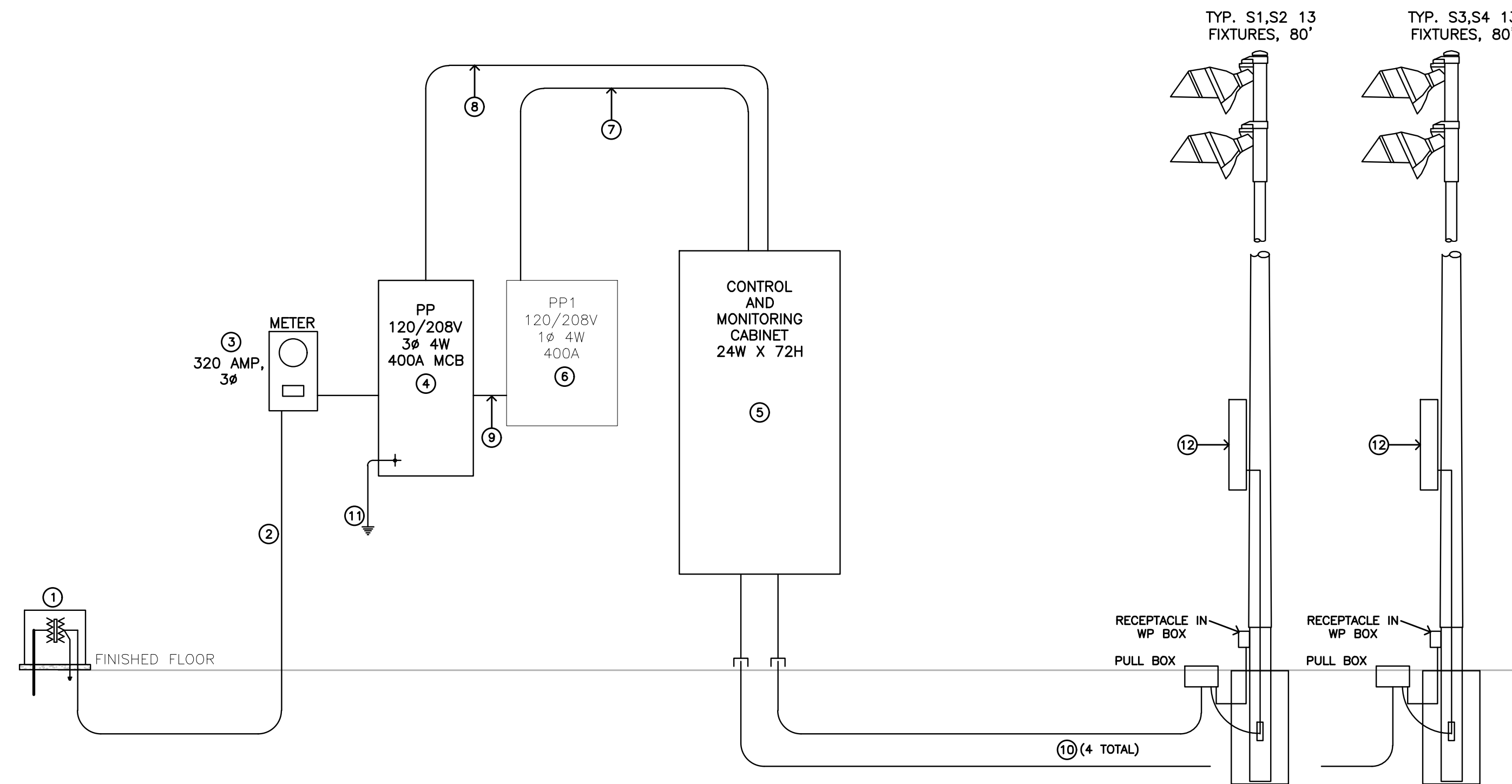
ATHLETIC FIELD LIGHT POLE
SCALE: NONE

DESCRIPTION	DATE	BY

BID DOCUMENTS

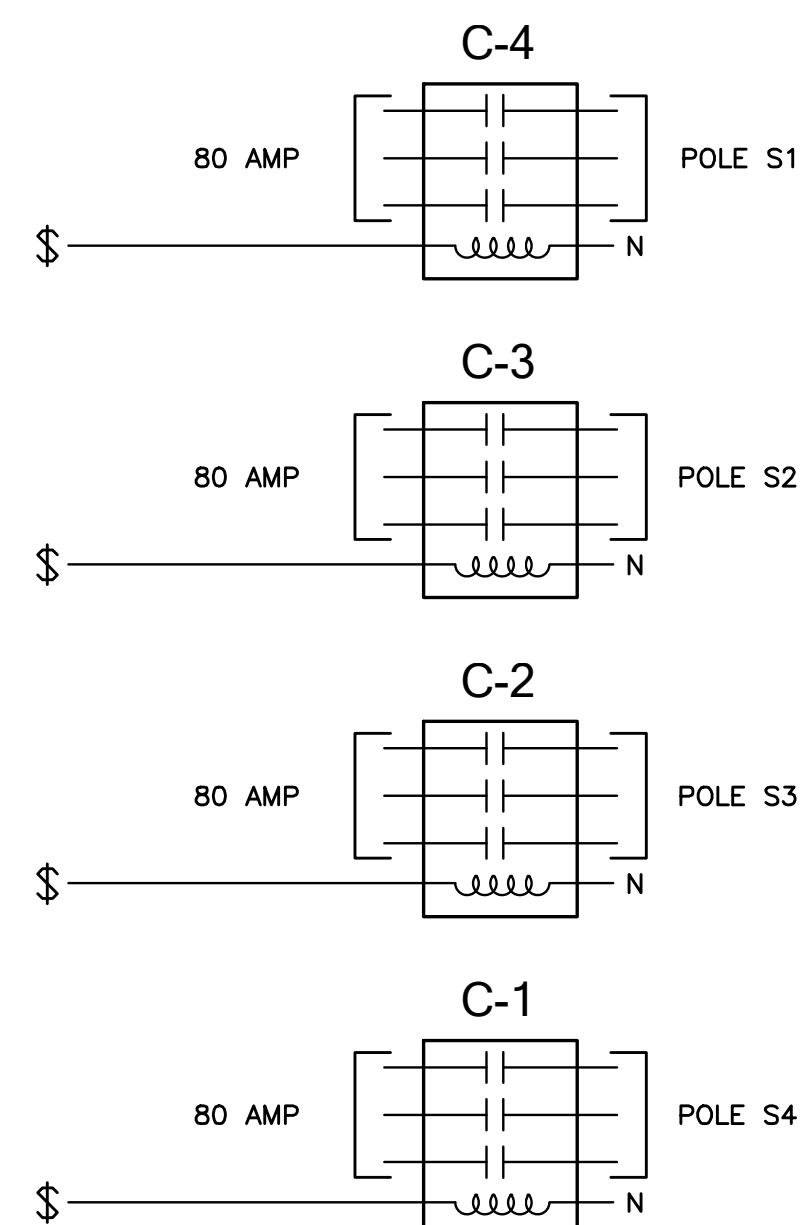
ELECTRICAL NOTES AND SCHEDULE
MASUK HIGH SCHOOL
TRACK & FIELD IMPROVEMENTS
1014 MONROE TURNPIKE
MONROE, CONNECTICUT

CEH	HAR	DJK
DESIGNED	DRAWN	CHECKED
AS NOTED		
DATE: APRIL 25, 2016		
PROJECT NO.: 5660-02		



ONE-LINE RISER DIAGRAM

SCALE: NONE



SPORTS LIGHTING CONTROL SCHEMATIC

SCALE: NONE

- COORDINATE RATINGS OF SPORTS LIGHTING CONTROLS WITH EQUIPMENT FURNISHED.

CIRCUIT TABLE			
CIRCUIT #	POLE	CONTACTOR	WIRE
PP-1,3,5 80A	S1	100A	3#4/0 + #4 GND
PP-17 20A	S1	-	2#6 + #10 GND
PP-2,4,6 80A	S2	100A	3#1 + #6 GND
PP-13,15 50A	S2	-	2#4 + #8 GND
PP-19 20A	S2	-	2#8 + #10 GND
PP-7,9,11 80A	S3	100A	3#1 + #6 GND
PP-14,16 50A	S3	-	2#4 + #8 GND
PP-18 20A	S3	-	2#8 + #10 GND
PP-8,10,12 80A	S4	100A	3#4/0 + #4 GND
PP-19 20A	S4	-	2#4 + #8 GND

ALL VALUES BASED ON COPPER CONDUCTORS. 20A CIRCUITS ARE FOR DUPLEX RECEPTACLES ON POLES. 50A CIRCUITS ARE FOR TWIST LOCK RECEPTACLES ON POLES.

RISER KEY NOTES

- COORDINATE WITH EVERSOURCE FOR REPLACEMENT OF EXISTING PAD MOUNTED TRANSFORMER TO UPGRADE CONCESSION BUILDING SERVICE TO 3-PHASE. COORDINATE TIMING OF OUTAGE WITH OWNER AND EVERSOURCE.
- PROVIDE NEW SECONDARY SERVICE WITH 4 #500KCMIL IN 4" PVC FROM TRANSFORMER TO NEW METER SOCKET. CUT & PATCH PAVEMENT AS REQUIRED. REMOVE OLD CONDUCTORS.
- REMOVE EXISTING 320A, 1Ø METER SOCKET AND PROVIDE NEW 320A, 3Ø METER SOCKET. PROVIDE SLIP FITTING FOR CONDUIT TO UNIT.
- PROVIDE NEW MAIN DISTRIBUTION PANEL 'PP'. REFER TO SCHEDULE FOR ADDITIONAL REQUIREMENTS. MOUNT ON EXTERIOR WALL OF ELECTRICAL ROOM. REMOVE EXISTING 8 CIRCUIT LOAD CENTER IN THIS LOCATION & SWAP CIRCUITS INTO PANEL PP1.
- INSTALL NEW LIGHTING CONTROL PANEL WITH 4 RELAYS AS SHOWN ON THE DRAWING. SEE LIGHTING CONTROL PANEL SPEC FOR ADDITIONAL INFORMATION. REMOVE FOUR EXISTING INDEPENDENT CONTACTORS SERVING OLD LIGHTS & INSTALL CONTROL PANEL AT THIS LOCATION.
- EXISTING PANEL PP TO REMAIN. PROVIDE FEED-THRU LUG CONNECTION FROM PANEL PP. REMOVE EXISTING FIELD LIGHTING CIRCUITS.
- PROVIDE NEW 120V, 20A BRANCH CIRCUIT FROM PP1 FOR CONTROL POWER TO LIGHTING CONTROL PANEL.
- PROVIDE FOUR 208V, 3Ø, 80A BRANCH CIRCUITS FROM PANEL PP TO CONTACTORS IN CONTROL PANEL FOR FIELD LIGHTING. USE 3 #4 AWG + #8 GROUND IN 1-1/4" CONDUIT.
- SUBFEED PANEL PP1 FROM PANEL PP WITH 3 #500 KCMIL + #3 GROUND IN 3" EMT OR WIREWAY.
- PROVIDE NEW BRANCH CIRCUITS FROM LIGHTING CONTROL PANEL TO EACH OF 4 FIELD LIGHTING POLES. REFER TO CIRCUIT SCHEDULE FOR WIRING REQUIREMENTS AND SITE PLAN FOR ROUTING.
- PROVIDE NEW OR IMPROVE EXISTING SERVICE GROUNDING ELECTRODE AND CONDUCTORS TO MEET CURRENT NEC REQUIREMENTS.
- PROVIDE A DESIGN THAT EMPLOYS BALLAST BACK BOXES LOCATED AT 10' ABOVE THE FINISHED GRADE. ATTACH SECURELY PER MANUFACTURERS REQUIREMENTS. USE STAINLESS STEEL CLAMPS.

GENERAL DRAWING NOTES

- REFER TO PART PLAN ON THIS SHEET FOR WORK WITHIN THIS AREA.
- COORDINATE LIGHTING POLE WITH EXISTING STUB UP LOCATION IN THE FIELD. TERMINATE WIRING IN ELECTRICAL COMPONENTS ENCLOSURE APPROXIMATE 10' ABOVE GRADE.
- EXISTING CONDUIT LOCATIONS. CONTRACTOR SHALL EXTEND CONDUIT TO CONTROL AND MONITORING CABINET. REFER TO ONE LINE DIAGRAM FOR ADDITIONAL INFORMATION.

PANEL SCHEDULE

- NOTES:
- REFER TO ELECTRICAL SPECIFICATIONS FOR FURTHER INFORMATION.
 - ELECTRICAL CONTRACTOR SHALL BE RESPONSIBLE FOR PANELBOARDS, SIZE, QUANTITY AND TYPES OF C/Bs INDICATED ON THIS SCHEDULE AND ON THE DRAWINGS.
 - UPGRADE WIRE SIZE AS REQUIRED TO MAINTAIN 3% (MAXIMUM) VOLTAGE DROP.
 - AC/RMS RATINGS SHALL BE NO LESS THAN UTILITY REQUIREMENT. COORDINATE WITH DOWN STREAM PROTECTION.
 - SCHEDULE DOES NOT INCLUDE C/B FOR ALTERNATES. COORDINATE RESPECTIVELY.
 - PROVIDE ENGRAVED PANEL DESIGNATION, HARD PLASTIC LABELS.
 - PROVIDE TYPED CIRCUIT DIRECTORY.
 - FURNISH ALL ADDITIONAL MATERIALS AND ACCESSORIES REQUIRED FOR COMPLETE INSTALLATION TO BE FULLY OPERATIONAL.
 - PROVIDE ALL ASSEMBLY REQUIRED.
 - PANELBOARDS SHALL BE COMPLETE WITH COPPER BUS AND NEMA 1 ENCLOSURE.

DESIGNATION	VOLTAGE	PHASE	MANS	MOUNTING	BRANCH CIRCUITS			SPARES	BRANCH POLE CAPACITY	LOCATION	REMARKS
					AMPS	POLES	ACTIVE				
PP	208/120	3Ø	400A MCB	SURFACE	80	3	4	20A-1P (4)	42	ELECTRICAL ROOM	80A 3-POLE BREAKERS SERVE SPORTS FIELD LIGHTS. 50/2 BREAKERS SERVE TWIST LOCK RECPs. PROVIDE FEED-THRU LUGS FOR PANEL PP1.
					20	1	10				
PP1 (EXISTING)	240/120	1Ø	400A MCB	SURFACE	20	1	4	20A-1P (3)	12	ELECTRICAL ROOM	LISTED BREAKERS ARE FOR CONTROL PANEL AND FORMER LOAD CENTER LOADS. OTHER BREAKERS ARE ETR.
					30	2	2				

DESCRIPTION	DATE	BY